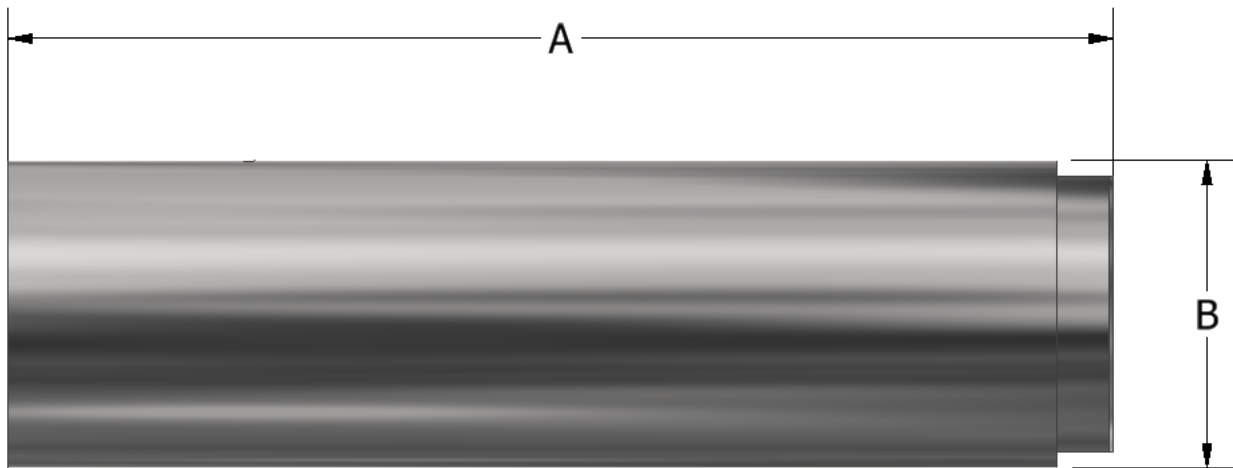


OPERATION

The Ruelco RA-2 Spring Accumulator is designed to provide an independent energy source for any low-pressure application. The 316 stainless steel construction allows for high corrosion resistance in harsh environments. The honed bore and wear ring allow for a smooth stroke, maximizing the total amount of life cycles. The simple design of the RA-2 can be disassembled and cleaned without the need for special tools.

FEATURES

- Stainless steel construction (N.A.C.E. model available)
- Precision honed bore to increase lifespan
- T-seal and back-ring piston assembly
- Spring allows for reliable charge
- Simple operation allows for easy maintenance



DIMENSIONS

| | |
|-----------------------|-----------------|
| A | 8.00" (203 mm) |
| B | 2.37" (60.2 mm) |
| INLET CONNECTION SIZE | 1/4" NPT |

PHONE: 504-340-0055
FAX: 504-340-0056
EMAIL: SALES@RUELCO.COM

1209 DISTRIBUTORS ROW
NEW ORLEANS, LA 70123

3,000 PSI 6 CU IN SPRING ACCUMULATOR

PARTS LIST

| ITEM | QUANTITY | DESCRIPTION | MATERIAL |
|------|----------|---------------------------|--------------|
| 1 | 1 | BODY | 316 ST. STL. |
| 2 | 1 | SPRING | SPRING WIRE |
| 3* | 1 | PISTON | 6061 -T6 AL |
| 4* | 1 | WEAR RING | NYLON |
| 5* | 1 | PISTON T-SEAL W/ BACK UPS | NITRILE |
| 6* | 1 | O-RING | NITRILE |
| 7* | 1 | BACK UP SEAL | TEFLON |
| 8 | 1 | CAP | 316 ST. STL. |

* INDICATES ITEMS IN THE REPAIR KIT

SPECIFICATIONS

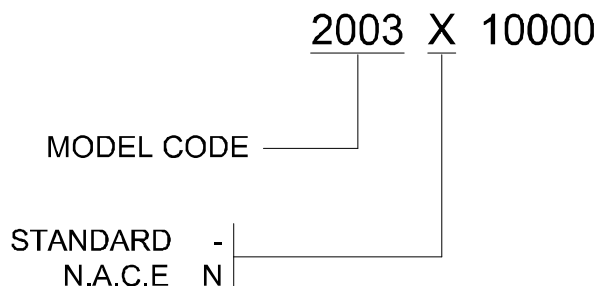
| | |
|---------------------------|---------------------------------|
| MAXIMUM WORKING PRESSURE | 3,000 PSI (207 BAR) |
| FLUID CAPACITY | 6 CU IN (98.3 CU CM) |
| AMBIENT TEMPERATURE RANGE | -20 TO 200° F -29 TO 93.3° C |
| PRESSURE TO FULLY OPEN | 140 PSI (9.8 KG/CM) |

REPAIR KIT

- 20-104-000

OTHER TEMPERATURE RANGES AND SEAL COMPOUNDS AVAILABLE UPON REQUEST

ORDERING CODE



PHONE: 504-340-0055
 FAX: 504-340-0056
 EMAIL: SALES@RUELCO.COM

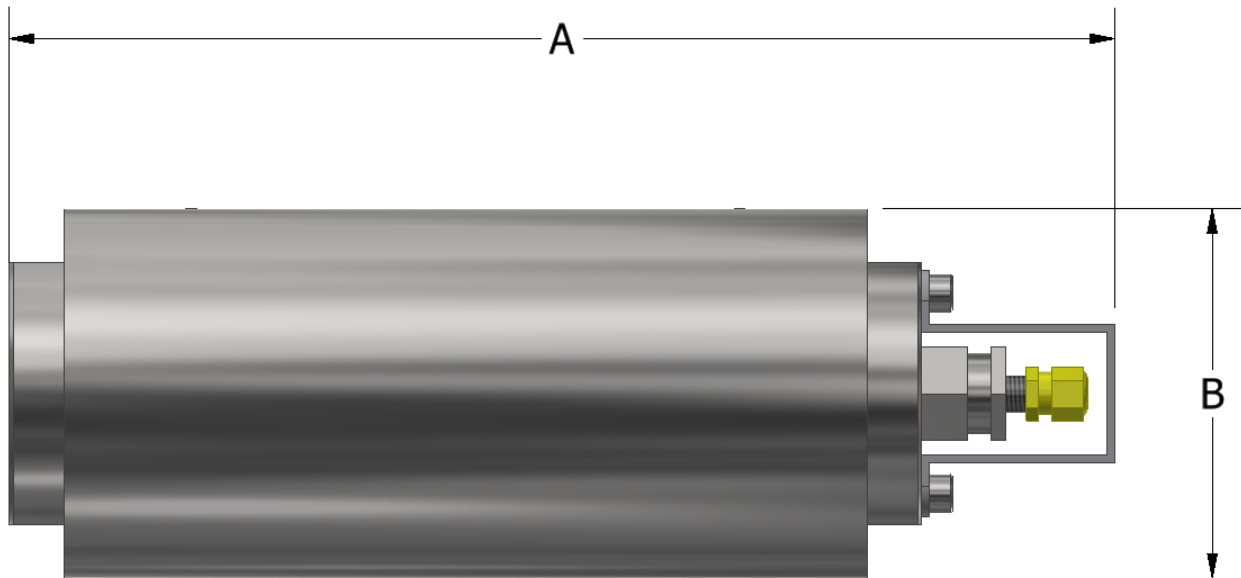
1209 DISTRIBUTORS ROW
 NEW ORLEANS, LA 70123

OPERATION

The Ruelco RA-5 is a piston type accumulator that provides a mean for regulating the performance of a hydraulic system. It is suitable for storing hydraulic energy under high pressure, absorbing hydraulic shocks and dampening pump pulsation and flow fluctuations. The 316 stainless steel construction allows for high corrosion resistance in harsh environments. The honed bore and wear ring allow for a smooth stroke, maximizing the total life cycle. The simple design also allows the RA-5 to be disassembled and cleaned without the need for any special tools.

FEATURES

- 316 stainless steel construction (N.A.C.E. Model Available)
- Precision honed bore to increase lifespan
- T-seal and back-up ring piston assembly
- Schrader valve allows safe charge and discharge
- Simple operation facilitates maintenance



DIMENSIONS

| | |
|---------------------|--------------------|
| A | 8.88" (225 mm) |
| B | 3.00" (76.2 mm) |
| HYDRAULIC PORT SIZE | 1/4" FNPT |
| WEIGHT | 11.6 LBS (5.26 kg) |

PHONE: 504-340-0055
 FAX: 504-340-0056
 EMAIL: SALES@RUELCO.COM

1209 DISTRIBUTORS ROW
 NEW ORLEANS, LA 70123

PARTS LIST

| ITEM | QTY. | DESCRIPTION | MATERIAL |
|------|------|---------------------------|---------------|
| 1 | 1 | GAS VALVE PROTECTOR | 316 ST. STL. |
| 2 | 1 | GAS VALVE W/ CAP | 316 ST. STL. |
| 3 | 2 | SOCKET HEAD SCREW | 316 ST. STL. |
| 4* | 1 | O-RING | NITRILE |
| 5 | 1 | GAS CAP | 316 ST. STL. |
| 6 | 1 | BODY | 17-4 ST. STL. |
| 7 | 1 | PISTON | 6061-T6 AL |
| 8* | 1 | WEAR RING | NYLON |
| 9* | 1 | PISTON T-SEAL W/ BACK UPS | NITRILE |
| 10* | 2 | O-RING | NITRILE |
| 11* | 2 | BACK UP SEAL | TEFLON |
| 12 | 1 | FLUID CAP | 316 ST. STL. |

* INDICATES ITEMS IN THE REPAIR KIT

SPECIFICATIONS

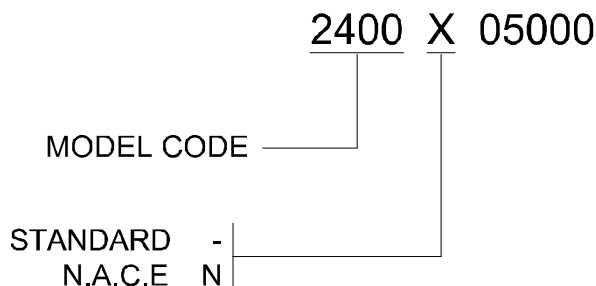
| | |
|-------------------------------|---------------------------------|
| MAXIMUM WORKING PRESSURE | 5,000 PSI (345 BAR) |
| FLUID CAPACITY | 6 CU IN (98.3 CUBIC CM) |
| AMBIENT TEMPERATURE RANGE | -20 TO 200° F -29 TO 93.3° C |
| GAS VALVE INSTALLATION TORQUE | 120 IN -LBS |

REPAIR KIT

- 20-204-000

OTHER TEMPERATURE RANGES AND SEAL COMPOUNDS AVAILABLE UPON REQUEST

ORDERING CODE



PHONE: 504-340-0055
 FAX: 504-340-0056
 EMAIL: SALES@RUELCO.COM

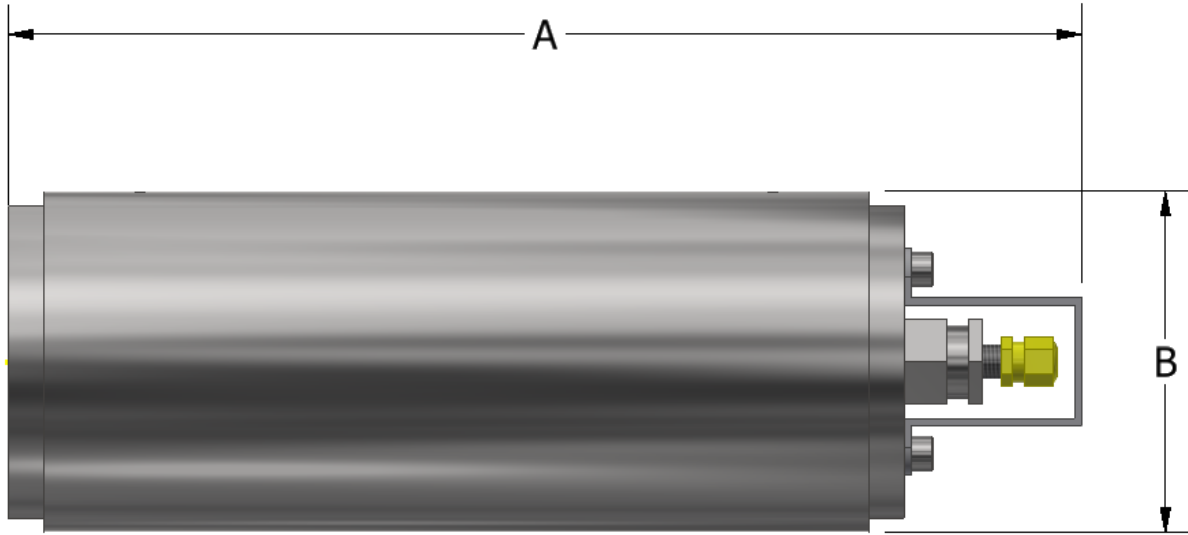
1209 DISTRIBUTORS ROW
 NEW ORLEANS, LA 70123

OPERATION

The Ruelco RA-5 is a piston type accumulator that provides a mean for regulating the performance of a hydraulic system. It is suitable for storing hydraulic energy under high pressure, absorbing hydraulic shocks and dampening pump pulsation and flow fluctuations. The stainless steel construction allows for high corrosion resistance in harsh environments. The honed bore and wear ring allow for a smooth stroke, maximizing the total life cycle. The simple design also allows the RA-5 to be disassembled and cleaned without the need for any special tools.

FEATURES

- Stainless steel construction (N.A.C.E. model available)
- Precision honed bore to increase lifespan
- T-seal and back-up ring piston assembly
- Schrader valve allows safe charge and discharge
- Simple operation facilitates maintenance



DIMENSIONS

| | |
|---------------------|-------------------|
| A | 9.45" (240 mm) |
| B | 3.00" (76.2 mm) |
| HYDRAULIC PORT SIZE | 1/4" FNPT |
| WEIGHT | 9.6 LBS (4.35 kg) |

PHONE: 504-340-0055
 FAX: 504-340-0056
 EMAIL: SALES@RUELCO.COM

1209 DISTRIBUTORS ROW
 NEW ORLEANS, LA 70123

PARTS LIST

| ITEM | QUANTITY | DESCRIPTION | MATERIAL |
|------|----------|---------------------------|---------------|
| 1 | 1 | GAS VALVE PROTECTOR | 316 ST. STL. |
| 2 | 1 | GAS VALVE W/ CAP | 316 ST. STL. |
| 3 | 2 | SOCKET HEAD SCREW | 316 ST. STL. |
| 4* | 1 | O-RING | NITRILE |
| 5 | 1 | GAS CAP | 316 ST. STL. |
| 6 | 1 | BODY | 17-4 ST. STL. |
| 7 | 1 | PISTON | 6061-T6 AL |
| 8* | 1 | WEAR RING | NYLON |
| 9* | 1 | PISTON T-SEAL W/ BACK UPS | NITRILE |
| 10* | 2 | O-RING | NITRILE |
| 11* | 2 | BACK UP SEAL | TEFLON |
| 12 | 1 | FLUID CAP | 316 ST. STL. |

* INDICATES ITEMS IN THE REPAIR KIT

SPECIFICATIONS

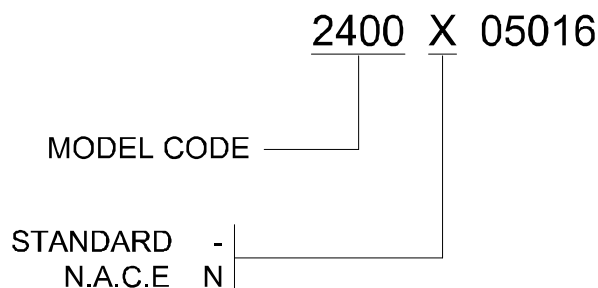
| | |
|-------------------------------|---------------------------------|
| MAXIMUM WORKING PRESSURE | 5,000 PSI (345 BAR) |
| FLUID CAPACITY | 16 CU IN (262 CU CM) |
| AMBIENT TEMPERATURE RANGE | -20 TO 200° F -29 TO 93.3° C |
| GAS VALVE INSTALLATION TORQUE | 120 IN -LBS |

REPAIR KIT

- 20-214-000

OTHER TEMPERATURE RANGES AND SEAL COMPOUNDS AVAILABLE UPON REQUEST

ORDERING CODE



PHONE: 504-340-0055
 FAX: 504-340-0056
 EMAIL: SALES@RUELCO.COM

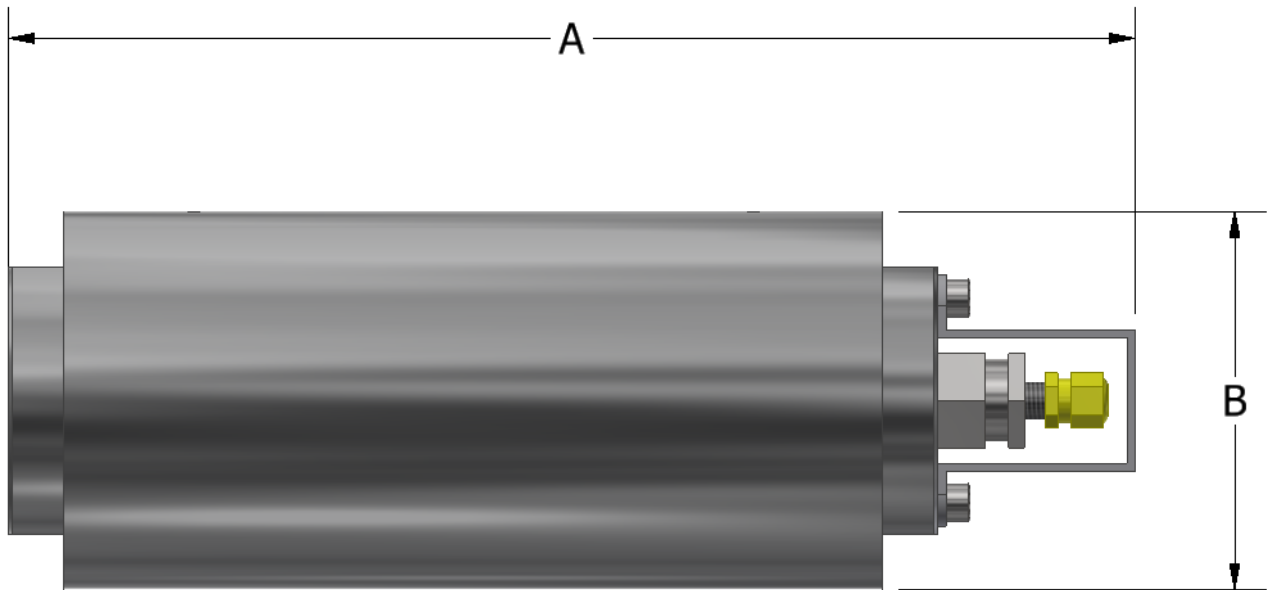
1209 DISTRIBUTORS ROW
 NEW ORLEANS, LA 70123

OPERATION

The Ruelco RA-5L is a piston type accumulator that provides a mean for regulating the performance of a hydraulic system. It is suitable for storing hydraulic energy under high pressure, absorbing hydraulic shocks and dampening pump pulsation and flow fluctuations. The anodized aircraft grade aluminum construction allows for high corrosion resistance in harsh environments. The honed bore and wear ring allow for a smooth stroke, maximizing the total life cycle. The simple design also allows the RA-5L to be disassembled and cleaned without the need for any special tools.

FEATURES

- 6061-T6 aircraft grade aluminum
- Lightweight design
- Precision honed bore to increase lifespan
- T-seal and back-up ring piston assembly
- Schrader valve allows safe charge and discharge
- Simple operation facilitates maintenance



DIMENSIONS

| | |
|---------------------|---------------------|
| A | 8.88" (225 mm) |
| B | 3.00" (76.2 mm) |
| HYDRAULIC PORT SIZE | 1/4" FNPT |
| WEIGHT | 4.27 LBS (1.994 kg) |

5,000 PSI 6 CU IN GAS ACCUMULATOR

PHONE: 504-340-0055
FAX: 504-340-0056
EMAIL: SALES@RUELCO.COM

1209 DISTRIBUTORS ROW
NEW ORLEANS, LA 70123

PARTS LIST

| ITEM | QUANTITY | DESCRIPTION | MATERIAL |
|------|----------|---------------------------|--------------|
| 1 | 1 | GAS VALVE PROTECTOR | 316 ST. STL. |
| 2 | 1 | GAS VALVE W/ CAP | 316 ST. STL. |
| 3 | 2 | SOCKET HEAD SCREW | 316 ST. STL. |
| 4* | 1 | O-RING | NITRILE |
| 5 | 1 | GAS CAP | 6061-T6 AL |
| 6 | 1 | BODY | 6061-T6 AL |
| 7 | 1 | PISTON | 6061-T6 AL |
| 8* | 1 | WEAR RING | NYLON |
| 9* | 1 | PISTON T-SEAL W/ BACK UPS | NITRILE |
| 10* | 2 | O-RING | NITRILE |
| 11* | 2 | BACK UP SEAL | TEFLON |
| 12 | 1 | FLUID CAP | 6061-T6 AL |

* INDICATES ITEMS IN THE REPAIR KIT

SPECIFICATIONS

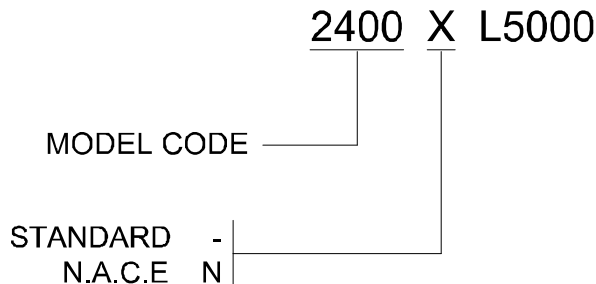
| | |
|-------------------------------|-------------------------------|
| MAXIMUM WORKING PRESSURE | 5,000 PSI (345 BAR) |
| FLUID CAPACITY | 6 CU IN (98.3 CU CM) |
| AMBIENT TEMPERATURE RANGE | -20 TO 180° F -29 TO 82° C |
| GAS VALVE INSTALLATION TORQUE | 120 IN -LBS |

REPAIR KIT

- 20-204-000

OTHER TEMPERATURE RANGES AND SEAL COMPOUNDS AVAILABLE UPON REQUEST

ORDERING CODE



PHONE: 504-340-0055
 FAX: 504-340-0056
 EMAIL: SALES@RUELCO.COM

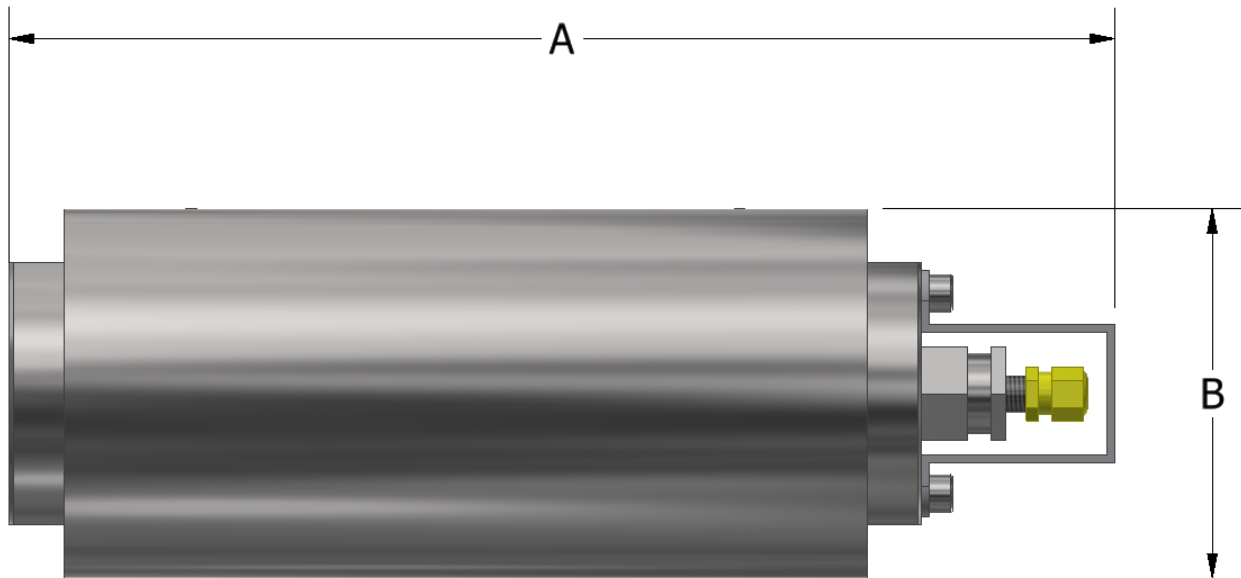
1209 DISTRIBUTORS ROW
 NEW ORLEANS, LA 70123

OPERATION

The Ruelco RA-10 is a piston type accumulator that provides a means for regulating the performance of a hydraulic system. It is suitable for storing hydraulic energy under high pressure, absorbing hydraulic shocks and dampening pump pulsation and flow fluctuations. The 316 stainless steel construction allows for high corrosion resistance in harsh environments. The honed bore and wear ring allow for a smooth stroke, maximizing the total life cycle. The simple design also allows the RA-10 to be disassembled and cleaned without the need for any special tools.

FEATURES

- 316 stainless steel construction (N.A.C.E. model available)
- Precision honed bore to increase lifespan
- T-seal and back-up ring piston assembly
- Schrader valve allows safe charge and discharge
- Simple operation facilitates maintenance



DIMENSIONS

| | |
|---------------------|--------------------|
| A | 8.88" (225 mm) |
| B | 3.00" (76.2 mm) |
| HYDRAULIC PORT SIZE | 1/4" FNPT |
| WEIGHT | 11.6 LBS (5.26 kg) |

PHONE: 504-340-0055
 FAX: 504-340-0056
 EMAIL: SALES@RUELCO.COM

1209 DISTRIBUTORS ROW
 NEW ORLEANS, LA 70123

PARTS LIST

| ITEM | QUANTITY | DESCRIPTION | MATERIAL |
|------|----------|---------------------------|--------------|
| 1 | 1 | GAS VALVE PROTECTOR | 316 ST. STL. |
| 2 | 1 | GAS VALVE W/ CAP | 316 ST. STL. |
| 3 | 2 | SOCKET HEAD SCREW | 316 ST. STL. |
| 4* | 1 | O-RING | NITRILE |
| 5 | 1 | GAS CAP | 316 ST. STL. |
| 6 | 1 | BODY | 316 ST. STL. |
| 7 | 1 | PISTON | 6061-T6 AL |
| 8* | 1 | WEAR RING | PEEK |
| 9* | 1 | PISTON T-SEAL W/ BACK UPS | NITRILE |
| 10* | 2 | O-RING | NITRILE |
| 11* | 2 | BACK UP SEAL | TEFLON |
| 12 | 1 | FLUID CAP | 316 ST. STL. |

* INDICATES ITEMS IN THE REPAIR KIT

SPECIFICATIONS

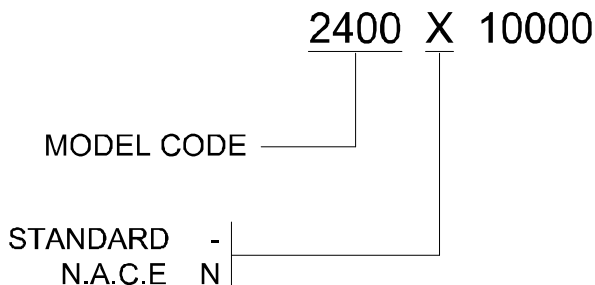
| | |
|-------------------------------|---------------------------------|
| MAXIMUM WORKING PRESSURE | 10,000 PSI (689.5 BAR) |
| FLUID CAPACITY | 6 CU IN (98.3 CU CM) |
| AMBIENT TEMPERATURE RANGE | -20 TO 200° F -29 TO 93.3° C |
| GAS VALVE INSTALLATION TORQUE | 120 IN. -LBS |

REPAIR KIT

- 20-204-000

OTHER TEMPERATURE RANGES AND SEAL COMPOUNDS AVAILABLE UPON REQUEST

ORDERING CODE



PHONE: 504-340-0055
 FAX: 504-340-0056
 EMAIL: SALES@RUELCO.COM

1209 DISTRIBUTORS ROW
 NEW ORLEANS, LA 70123