

# Ruelco



1-800-229-7835  
ruelco@ruelco.com

**MP-2 Manual/Remote Reset Relay**

**Model 15A1**

# MP-2 Manufactured Under U.S. Patent # 4790354

## Manual/Remote Reset Relay Model 15A1

### FEATURES

- 316 Stainless steel construction (models to N.A.C.E. MR0175 available).
- Easy to close with pilot signal pressures as high as 150 psi.
- Large Cv factor assures fast system response.
- May be used in pneumatic or hydraulic systems.
- "Lock Closed" design prevents relay from automatically opening when local control signal is applied.
- Remote reset feature permits the telemetrically activated pressure signal to open the relay.
- Design minimizes malfunctions due to supply system debris.

### OPTIONS

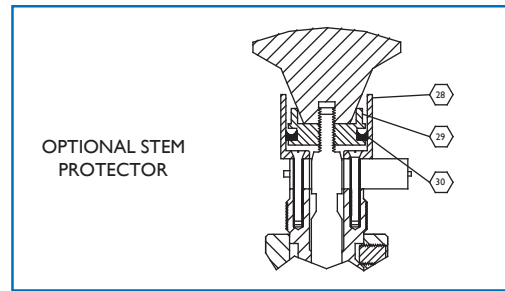
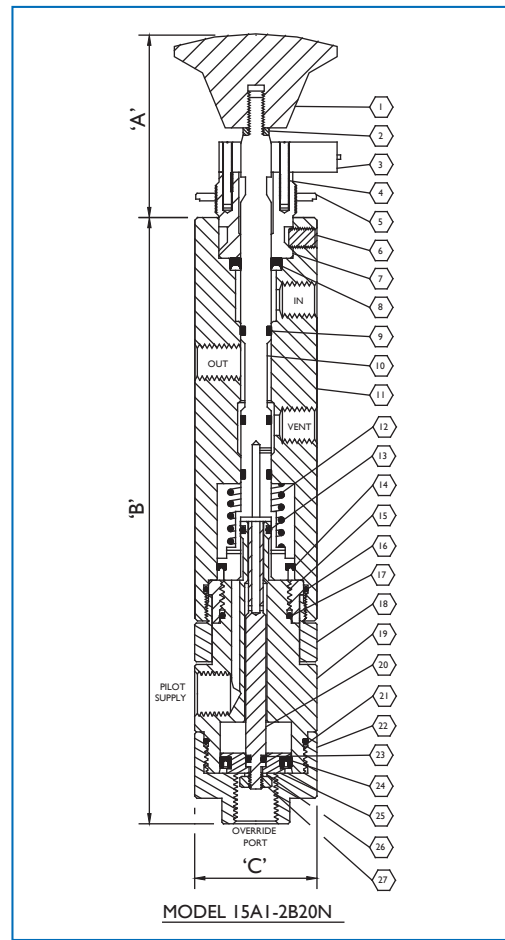
- Stem protector to prevent external debris accumulation.
- Green or red knob colors (Black is standard).

#### GENERAL DESCRIPTION:

The Ruelco Model 15A1 "MP-2" relay is a multi-pressure control valve for production control and safety systems. It functions as a manual or remote reset, block and bleed, normally closed, pilot operated valve.

### Parts List For MP-2 Relay

ITEM	QTY.	DESCRIPTION	MATERIAL	PART No.
1A	1	BLACK KNOB	PHENOLIC	Z0-200-001
1B	-	RED KNOB	PHENOLIC	Z0-200-002
1C	-	GREEN KNOB	PHENOLIC	Z0-200-003
2	1	LOCK NUT	316 ST. STL.	T6-08K-0F3
3	1	DETENT ASSEMBLY	316 ST. STL.	10-005-000
4	2	SCREW	316 ST. STL.	T3-632-0G3
5	1	PANEL MOUNT NUT	316 ST. STL.	10-006-000
6	3	SET SCREW	316 ST. STL.	T1-08K-0C3
7	1	MOUNTING HEAD	316 ST. STL.	10-007-000
8*	1	HEAD SEAL	NITRIL	NU-204-70H
9*	3	SHAFT SEAL	VITON	V0-009-90T
10	1	SHAFT ASSEMBLY	316 ST. STL.	10-023-000
11	1	BODY	316 ST. STL.	10-020-000
12	1	20 PSI. SPRING	INCONEL X-750	10-024-000
13*	1	O-RING	VITON	V0-009-90T
14*	1	PISTON SEAL	NITRIL	NU-209-70H
15	1	FLANGE RING	316 ST. STL.	15-004-000
16*	1	O-RING	VITON	V0-025-70H
17*	1	FLANGE SEAL	VITON	V0-018-70H
18	1	SLIP RING	316 ST. STL.	15-005-000
19	1	OVERRIDE BODY	316 ST. STL.	15-006-000
20	1	OVERRIDE STEM	316 ST. STL.	15-008-000
21*	1	END CAP SEAL	VITON	V0-024-70H
22	1	BASE	316 ST. STL.	15-007-000
23*	1	STEM SEAL	VITON	V0-006-70H
24*	1	PISTON SEAL	NITRIL	NU-209-70H
25	1	PISTON	316 ST. STL.	15-009-000
26	1	LOCK WASHER	316 ST. STL.	WA-0K0-824
27	1	HEX NUT	316 ST. STL.	T6-832-044
28	1	STEM PROTECTOR HOUSING	DELTRIN	10-015-000
29	1	SEAL WASHER	DELTRIN	10-016-000
30#	1	STEM PROTECTOR SEAL	NITRIL	NU-210-70H
31	-	REP. KIT W/O STEM PROTECTOR	* ITEMS	15-002-000
32	-	REP. KIT W/ STEM PROTECTOR	* & # ITEMS	15-003-000



### Specifications PSI. (Bar)

VALVE BODY MAX. W.P.	150 (10.3)
PILOT CAP/OVERRIDE PORT MAX. W.P.	150 (10.3)
AMBIENT TEMP. RANGE	-20° TO 250° F -29° TO 122° C
MINIMUM PILOT SIGNAL PRESSURE TO HOLD RELAY OPEN	65 (4.5)
Cv FACTOR	1.7

### Dimension Inch (MM)

"A" (CLOSED/OPEN)	2.36/2.73 (60/ 69.3)
"B"	8.18 (207.8)
"C"	1.5 (38.1)
PORT SIZE	1/4" NPT
PANEL MOUNT HOLE	1.0 (25.4)
MAX. PANEL THICKNESS	.18 (4.6)
WEIGHT	3.2 LBS (1.45 KG)

### ORDERING CODE: 15A1 X 2 X 2 X X

