

Ruelco



VC-2 Velocity Check Valve

Model 2202

2063 Paxton Street
Harvey, LA 70058
Phone **(504) 340-0055**
Fax **(504) 340-0056**

VC-2

Velocity Check Valve Model 2202

FEATURES

- Stainless steel construction.
- Will operate with flowline pressures as low as 100 PSI.
- Viton O-rings are utilized for dependability.
- Soft seal design ensures zero leakage.
- “Red Band” on shaft provides positive indication that the velocity check valve has operated.
- May be used in pneumatic or hydraulic systems.

OPTIONS

- Red or green knob (black is standard).

GENERAL DESCRIPTION:

The Ruelco ‘VC-2’ Velocity Check Valve is a 2-way, 2 position control valve. It is ideal for line break or process upset detection when using pipeline process pressure to operate an actuated valve. The valve is designed to operate with liquid or gas process fluids with pressures ranging from 100 to 10,000 psi. The valve incorporates a unique soft seal design to ensure zero leakage while also providing trip indication.

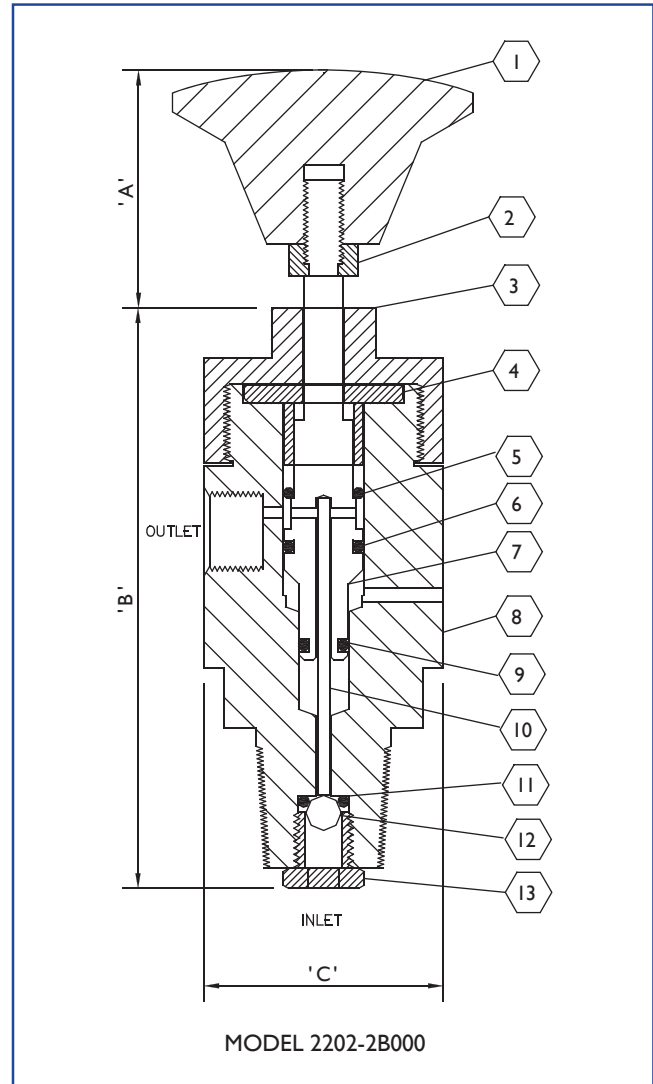
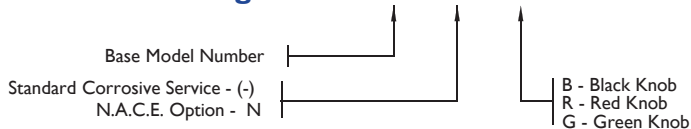
Specifications PSI. (BAR)

Valve Body Max. W.P.	10,000 (690)
Valve Operation Range	100 (6.7) 10,000 (690)
Ambient Temperature Range	-20° To 250° F -20° To 122° C

Dimensions In. (mm)

"A" (Closed/ Open)	1.41/1.64 (35.81/41.66)
"B"	3.61 (91.7)
"C"	1.5 (38.1)
Port Size Inlet	1/2" NPT
Port Size Outlet	1/4" NPT
Weight	1.3 lbs (.6 Kg)

Ordering Code: 2202 - 2 B 000



Parts List For VC-2 Valve

ITEM	QTY.	DESCRIPTION	MATERIAL	PART No.
1A	1	Black Knob	Phenolic	Z0-200-001
1B	-	Red Knob	Phenolic	Z0-200-002
1C	-	Green Knob	Phenolic	Z0-200-003
2	1	Lock Nut	316 St. Stl.	T6-08K-0F3
3	1	Cap	316 St. Stl.	22-011-000
4	1	Sleeve	316 St. Stl.	22-013-000
5*	1	Upper Seal	Viton	V0-109-70H
6*	1	Shaft Seal	Viton	V0-012-70H
7	1	Shaft	316 St. Stl.	22-012-000
8	1	Body	316 St. Stl.	22-010-000
9*	1	Lower Seal	Viton	V0-008-70H
10	1	Push Rod	Tungsten Carbide	22-014-000
11*	1	Ball Seat	Viton	V0-008-70H
12	1	Ball	Tungsten Carbide	BL-125-12T
13	1	Retainer Screw	316 St. Stl.	22-015-000
14	1	Repair Kit	* Items	22-016-000