

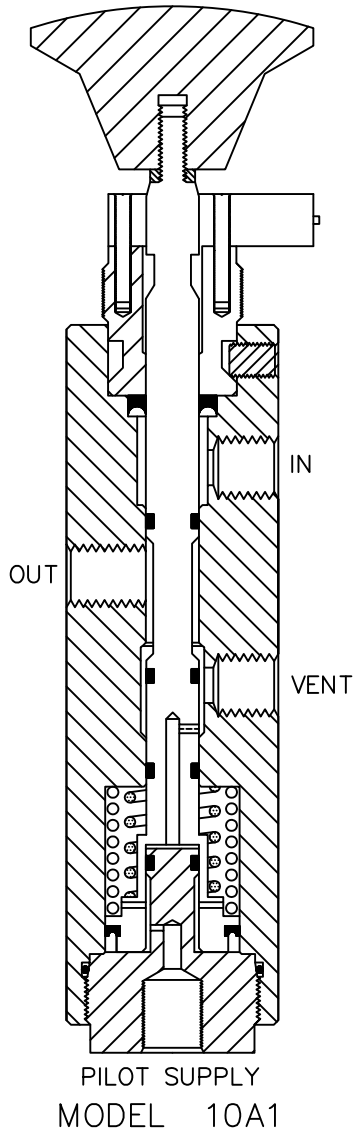


1209 DISTRIBUTORS ROW ■ NEW ORLEANS, LA 70123 U.S.A.
TELEPHONE: (504)340-0055 ■ FAX: (504)340-0056

MANUFACTURED UNDER U.S. PATENT NO. 4790354

GENERAL DESCRIPTION:

The Ruelco "MP-H2" relay is a multi-pressure control valve for production control and safety systems. It functions as a manual reset, pilot operated, normally closed, block and bleed hydraulic valve.



MODEL 10A1

FEATURES:

- * 316 stainless steel construction (models to N.A.C.E. MR0175 available).
- * Easy to close with pilot signal pressure as high as 150 psi.
- * Large Cv factor assures fast system response.
- * "Lock Closed" design prevents relay from automatically opening.
- * Viton and Nitril seals are utilized for dependability.
- * Design minimizes malfunctions due to supply system debris.

OPTIONS:

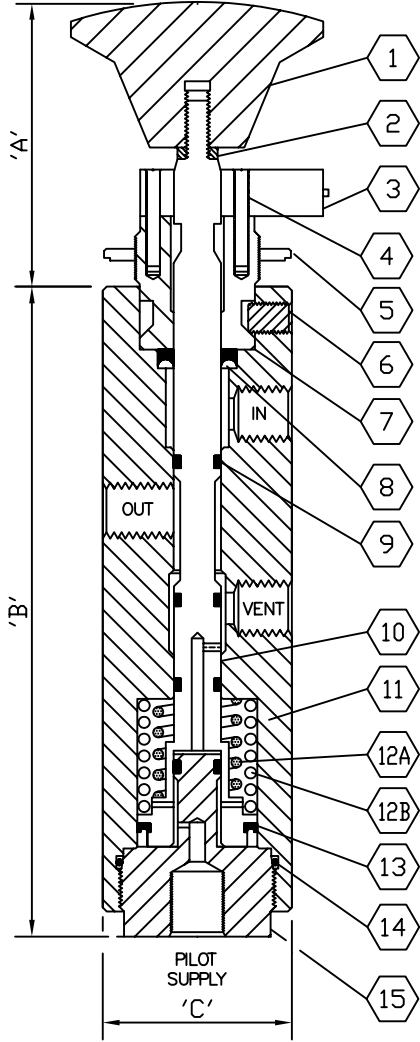
- * Stem protector to prevent external debris accumulation on relay shaft.
- * Green or red knob colors (black is standard).

MP-H2

MANUAL HYDRAULIC RELAY

MODEL 10A1

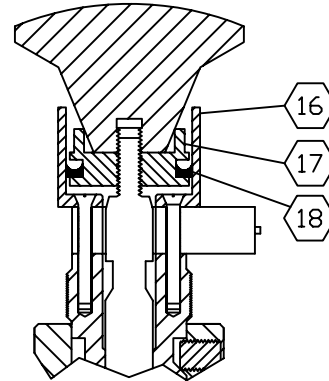
PARTS LIST FOR MP-H2 RELAY



MODEL 10A1

ITEM	QTY.	DESCRIPTION	MATERIAL	PART NO.
1A	1	BLACK KNOB	PHENOLIC	Z0-200-001
1B	-	RED KNOB	PHENOLIC	Z0-200-002
1C	-	GREEN KNOB	PHENOLIC	Z0-200-003
2	1	LOCK NUT	316 ST. STL.	T6-08K-0F3
3	1	DETENT ASSEMBLY	316 ST. STL.	10-005-000
4	2	SCREW	316 ST. STL.	T3-632-0G3
5	1	PANEL MOUNT NUT	316 ST. STL.	10-006-000
6	3	SET SCREW	316 ST. STL.	T1-08K-0C3
7	1	MOUNTING HEAD	316 ST. STL.	10-007-000
8*	1	HEAD SEAL	NITRIL	NU-204-70H
9*	4	SHAFT SEAL	VITON	VO-009-90H
10	1	SHAFT ASSEMBLY	316 ST. STL.	10-023-00H
11	1	BODY	316 ST. STL.	10-020-000
12A	1	SPRING	INCONEL X-750	10-017-000
12B	1	HYDRAULIC SPRING	INCONEL X-750	10-017-00H
13*	1	PISTON SEAL	NITRIL	NU-209-70H
14*	1	BASE SEAL	VITON	VO-025-75H
15	1	BASE	316 ST. STL.	10-021-000
16	1	STEM PROTECTOR HOUSING	DELTRIN	10-015-000
17	1	SEAL WASHER	DELTRIN	10-016-000
18#	1	STEM PROTECTOR SEAL	NITRIL	NU-210-70H
19	-	REP. KIT W/O PROTECTOR	* ITEM	10-013-0A0
20	-	REP. KIT W/PROTECTOR	* & # ITEM	10-026-000

OPTIONAL
STEM
PROTECTOR



SPECIFICATIONS P.S.I. (BAR)

VALVE BODY MAX. W.P.	150 (10.3)
AMBIENT TEMP. RANGE	-20 TO 250° F
	-29 TO 122° C
MINIMUM PILOT SIGNAL PRESSURE TO HOLD RELAY OPEN	65 (4.5)
Cv FACTOR	1.7

DIMENSIONS INCH (MM)

"A" (CLOSED/OPEN)	2.36/2.73 (60/69.3)
"B"	5.18 (132)
"C"	1.5 (38.1)
PORT SIZE	1/4" NPT
PANEL MOUNT HOLE	1.0 (25.4)
MAX. PANEL THICKNESS	.18 (4.6)
WEIGHT	2.5 LB (1.14 KG)

ORDERING CODE: 10A1 X 2X5 X X

