



1209 DISTRIBUTORS ROW ■ HARAHAN, LA 70123 U.S.A.
TELEPHONE: (504)340-0055 ■ FAX: (504)340-0056

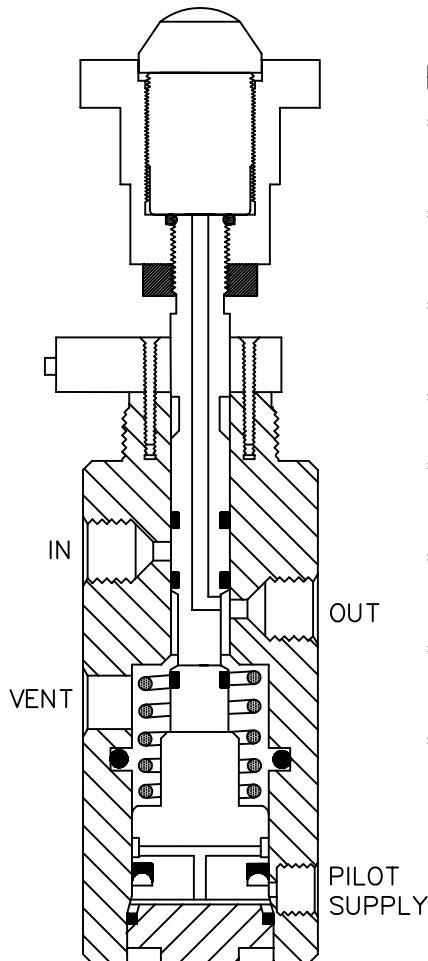
GENERAL DESCRIPTION:

The Ruelco MP-4 Relay is a multi-pressure control valve for production control and safety systems. It functions as a pilot operated, normally closed, block and bleed valve. Its simple and compact design makes maintenance and repair easy. The MP-4 relay does not have to be removed from its control panel or system loop if repair or maintenance is necessary.

MP-4

INDICATING MANUAL RESET RELAY

MODEL 1901

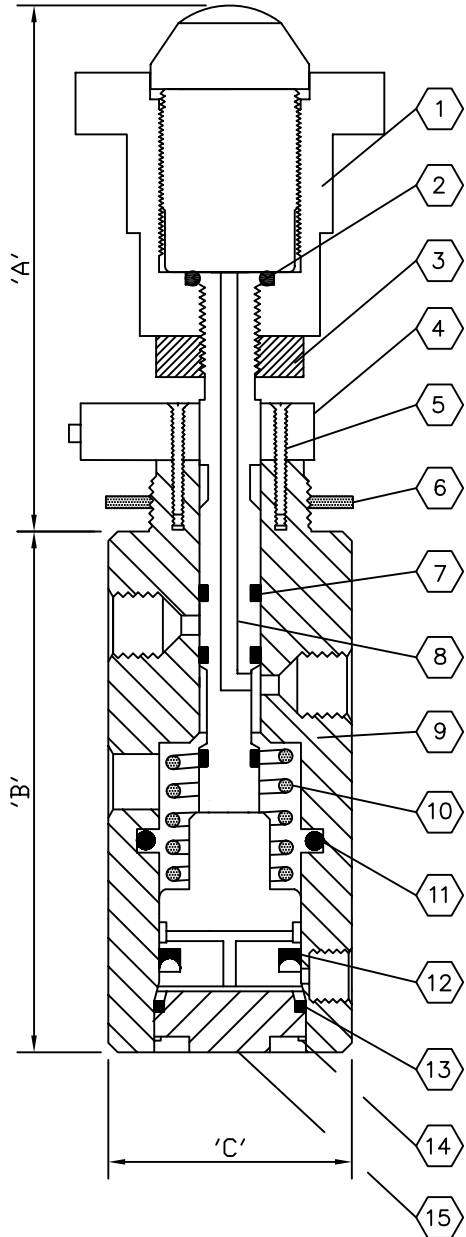


FEATURES:

- * 316 Stainless Steel Construction (models to N.A.C.E. MR0175 available).
- * Easy to close with pilot signal pressures as high as 100 psi.
- * Can be repaired without removing relay from system or panel.
- * Viton and nitrile seals are utilized for dependability.
- * Design minimizes malfunctions due to supply system debris.
- * Inconel X-750 spring assures dependability in most corrosive environments.
- * "Lock closed" design prevents relay from automatically opening.
- * Indicating Knob for Green/ Red Visual Status of Relay Operation

OPTIONS:

- * 30 psi closing spring.



MODEL 1901-2I200

PARTS LIST FOR MP-4 RELAY

ITEM	QTY.	DESCRIPTION	MATERIAL	PART NO.
1	1	INDICATING KNOB	316 ST. STL.	19-018-000
2*	1	KNOB SEAL	VITON	VO-108-70H
3	1	LOCK NUT	316 ST. STL.	T8-08K-0F3
4	1	DETENT ASSEMBLY	316 ST. STL.	10-005-000
5	1	SCREW	316 ST. STL.	T3-632-0G3
6	1	PANEL MOUNT NUT	316 ST. STL.	10-006-000
7*	3	SHAFT SEAL	VITON	VO-009-90T
		SHAFT ASSEMBLY WITH	316 ST. STL. W/	
8A	1	DELTRIN PISTON	DELTRIN	19-016-000
8B	-	S.S. PISTON	316 ST. STL.	19-016-001
9	1	BODY	316 ST. STL.	19-001-0A0
10A	1	SPRING (20 PSI.)	INCONEL X-750	10-024-000
10B	1	SPRING (30 PSI.)	INCONEL X-750	10-017-000
11*	1	BODY SEAL	VITON	VO-118-75T
12*	1	PISTON SEAL	NITRIL	NU-209-70H
13*	1	BASE SEAL	VITON	VO-019-75H
14*	1	RETAINING RING	316 ST. STL.	S2-910-093
15A	1	DELTRIN BASE	DELTRIN	19-004-000
15B	-	ST. STL. BASE	316 ST. STL.	19-004-001
18	-	REPAIR KIT	* ITEMS	19-019-000

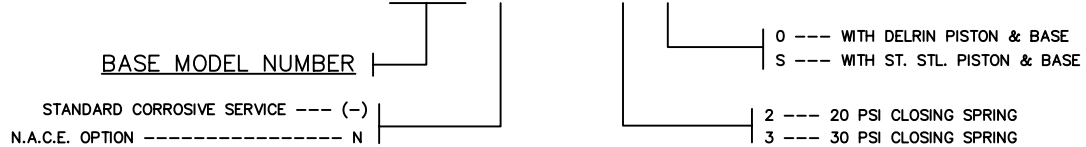
SPECIFICATIONS P.S.I. (BAR)

VALVE BODY MAX. W.P.	150 (10.3)
PILOT CAP MAX. W.P.	125 (8.6)
AMBIENT TEMP. RANGE	-20 TO 250° F -29 TO 122° C
MINIMUM PILOT SIGNAL PRESSURE TO HOLD RELAY OPEN	25 (1.7) WITH 20 PSI SPRING 35 (2.4) WITH 30 PSI SPRING
Cv FACTOR	.34

DIMENSIONS INCH (MM)

'A'(CLOSED/OPEN)	2.36 / 2.85 (60/72.4)
'B'	3.25 (82.5)
'C'	1.5 (38.1)
INLET & OUTLET PORTS	1/4" FNPT
PILOT PORT	1/8" FNPT
PANEL MOUNT HOLE	1.0 (25.4)
MAX. PANEL THICKNESS	.18 (4.6)
WEIGHT	1.6 LB. (.72 KG.)

ORDERING CODE: **1901 X 2 I X X 0**



WHILE THIS INFORMATION IS PRESENTED IN GOOD FAITH AND BELIEVED TO BE ACCURATE, RUELCO, INC. DOES NOT GUARANTEE SATISFACTORY RESULTS FROM RELIANCE ON SUCH INFORMATION. NOTHING CONTAINED HEREIN IS TO BE CONSTRUED AS A WARRANTY OR GUARANTEE, EXPRESSED OR IMPLIED, REGARDING THE PERFORMANCE, MERCHANTABILITY, AND FITNESS WITH RESPECT TO THE PRODUCT. RUELCO, INC. RESERVES THE RIGHT, WITHOUT NOTICE, TO ALTER OR IMPROVE THE DESIGNS OR SPECIFICATIONS OF THE PRODUCTS DESCRIBED HEREIN.