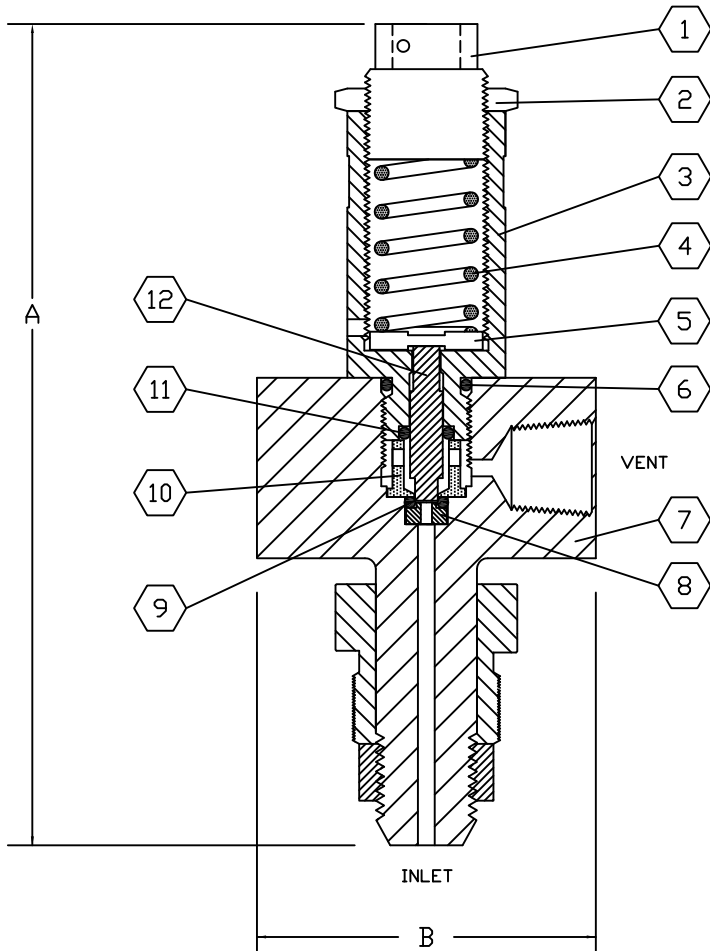




1209 DISTRIBUTORS ROW ■ NEW ORLEANS, LA 70123 U.S.A.

TELEPHONE: (504)340-0055 ■ FAX: (504)340-0056



PARTS LIST FOR RV-1 H.P. RELIEF VALVE

ITEM	QTY.	DESCRIPTION	MATERIAL	PART No.
1	1	SPRING CAP	316 St. Stl.	75-007-000
2	1	LOCK NUT	316 St. Stl.	75-008-000
3	1	SPRING HOUSING	316 St. Stl.	75-002-000
4*	1	GREEN SPRING	SPRING WIRE	75-033-000
5	1	SPRING PLATE	316 St. Stl.	75-006-000
6*	1	BODY SEAL	NITRILE	N0-012-70H
7	1	RELIEF VALVE BODY	17-4 PH St. Stl.	75-030-000
8	1	SEAL GUIDE	316 St. Stl.	75-031-000
9*	1	HEAD SEAL	URETHANE	U0-005-90H
10	1	OUTER SLEEVE	316 St. Stl.	75-032-000
11*	1	PISTON SEAL	NITRILE	N0-4X2-70H
12	1	PISTON	17-4 PH St. Stl.	75-003-000
13	-	H.P. REPAIR KIT (* ITEMS)	-	75-034-000

SPECIFICATIONS PSI. (BAR)

Valve Body Max. W.P.	15,000 (960)
Ambient Temperature Range	-20° To 250° F -20° To 122° C

DIMENSION INCH (MM)

"A"	4.55 (115.6)
"B"	1.88 (47.8)
Inlet Size	9/16" M.P.
Port Size Vent	1/4" NPT
Weight	.7 lbs (.32 Kg)

ORDERING CODE: 7500 X 3 X 0 0 0

BASE MODEL NUMBER

Standard Corrosive Service - (-)
N.A.C.E. Option - N

N - Green Spring (7,500 - 15,000 psi.)

03/10

WHILE THIS INFORMATION IS PRESENTED IN GOOD FAITH AND BELIEVED TO BE ACCURATE, RUELCO, INC. DOES NOT GUARANTEE SATISFACTORY RESULTS FROM RELIANCE ON SUCH INFORMATION. NOTHING CONTAINED HEREIN IS TO BE CONSTRUED AS A WARRANTY OR GUARANTEE, EXPRESSED OR IMPLIED, REGARDING THE PERFORMANCE, MERCHANTABILITY, AND FITNESS WITH RESPECT TO THE PRODUCT. RUELCO, INC. RESERVES THE RIGHT, WITHOUT NOTICE, TO ALTER OR IMPROVE THE DESIGNS OR SPECIFICATIONS OF THE PRODUCTS DESCRIBED HEREIN.