

# Ruelco

**Fuse Plug / Vent Screen**



**Fuse Plug**



**Vent Screen**

# Fuse Plug

## Temperature Sensor Model 2102

### FEATURES

- 316 stainless steel construction. (models to N.A.C.E. MR0175 available)
- Leak free seal.
- Large Cv factors produce large flow rates.
- Small compact design.

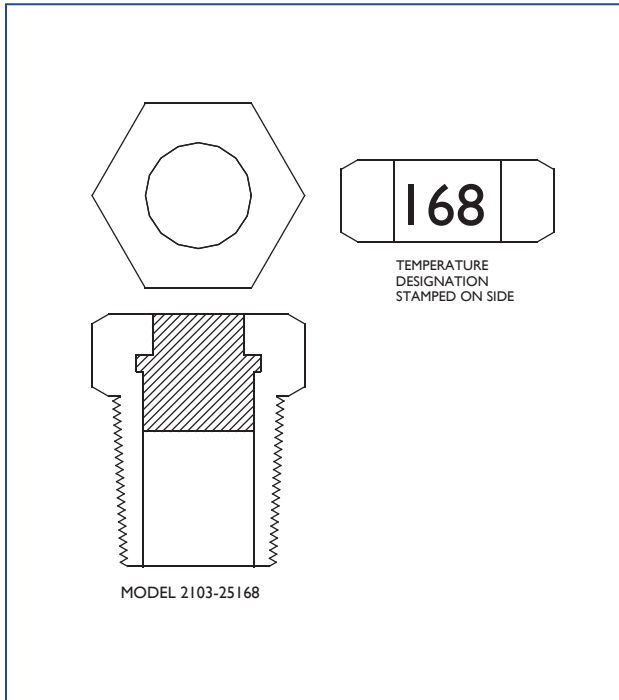
### OPTIONS

- 1/4", 3/8", 1/2" MNPT sizes.
- 158°, 168°, 183°, 210° or 283° F sensing temperature.
- Consult factory for other sensing temperatures.

#### GENERAL DESCRIPTION:

The Ruelco Fuse Plug is a heat sensitive device designed to vent control pressure at a predetermined temperature. Ruelco Fuse plugs are manufactured using a process that assures a leak free operation. The sensing temperature of the fusible material is clearly marked on each fuse plug to assure proper identification.

The Ruelco fuse plugs are available in 316 stainless steel with various sensing temperatures and sizes.



### Ordering Code: 2102 - XX XXX

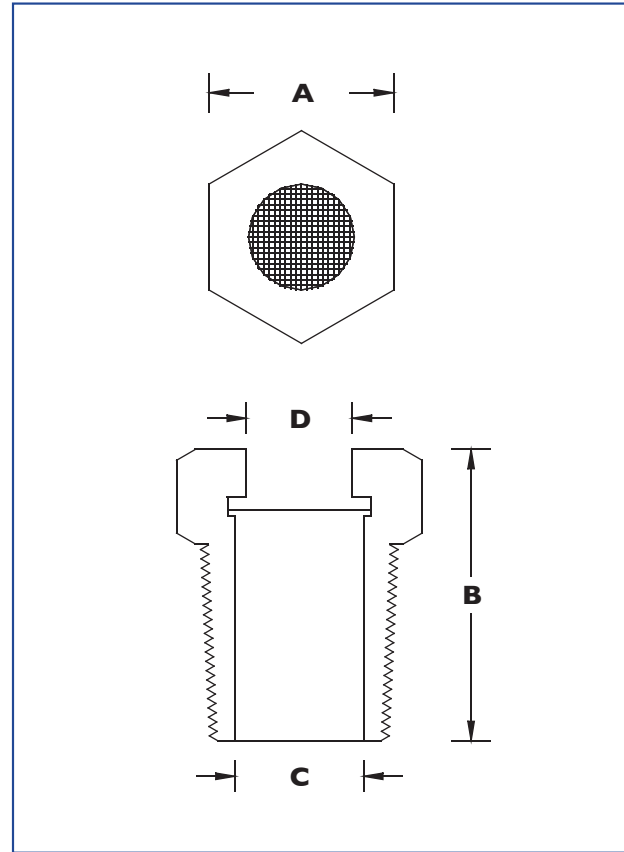
1/4" MNPT --- 25		158 --- 158° F TEMP
3/8" MNPT --- 37		168 --- 168° F TEMP
1/2" MNPT --- 50		183 --- 183° F TEMP
		210 --- 210° F TEMP
		283 --- 283° F TEMP

# Vent Screen

## Series 91

#### GENERAL DESCRIPTION:

The Ruelco Vent Screen is manufactured with an all stainless steel construction and is used to prevent insects from blocking the vent port. The Ruelco Vent Screen is available in four standard NPT sizes.



NPT SIZE	DIMENSION			
	'A'	'B'	'C'	'D'
1/8"	.435"	.550"	.250"	.187"
1/4"	.563"	.770"	.343"	.281"
3/8"	.745"	.860"	.438"	.375"
1/2"	.875"	1.10"	.500"	.438"

### Ordering Code: 91 - 0XX - 000

1/8" MNPT --- 01	
1/4" MNPT --- 02	
3/8" MNPT --- 03	
1/2" MNPT --- 04	