

# Ruelco

Flame Arrestor / Vent Fill Cap



**FA-1**



**VF-1**

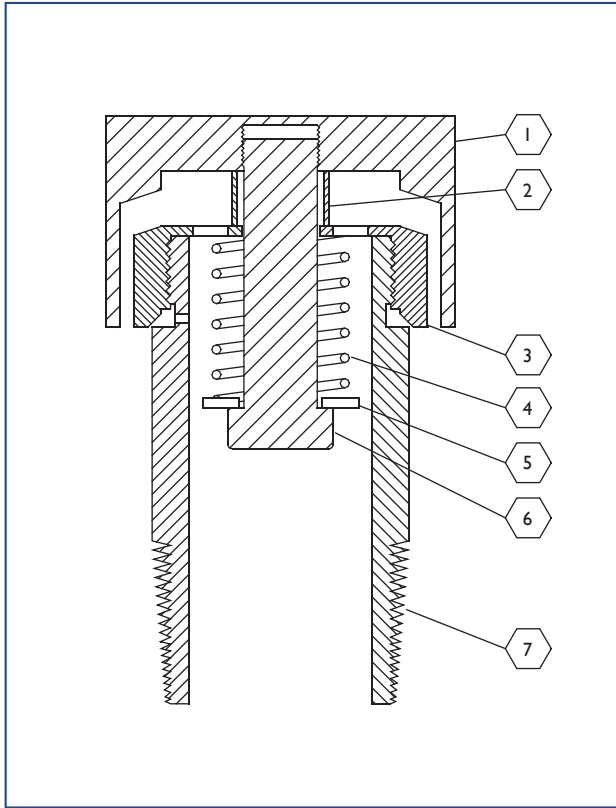
2063 Paxton Street  
Harvey, LA 70058  
Phone (504) 340-0055  
Fax (504) 340-0056

# FA-I

## Flame Arrestor Model 6700

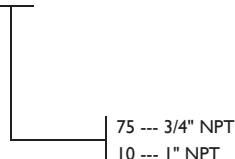
### GENERAL DESCRIPTION:

The Ruelco FA-I Flame Arrestor provides protection for the enclosure or the tank contents in case of fire or any possible ignition source outside. Under normal conditions, the cover prevents rain, dust or other contaminants from entering the enclosure or tank.



ITEM	QTY.	DESCRIPTION	MATERIAL	PART No.
1	1	COVER	316 S.S.	67-001-000
2	1	EUTECTIC	DELFIN	67-002-000
3	1	CAP	316 S.S.	65-002-000
4	1	SPRING	INCONEL	10-024-000
5	1	WASHER	316 S.S.	67-005-000
6	1	BOLT	316 S.S.	67-004-000
7	1	BODY	316 S.S.	65-001-000

**Ordering Code: 6700 - X X 000**

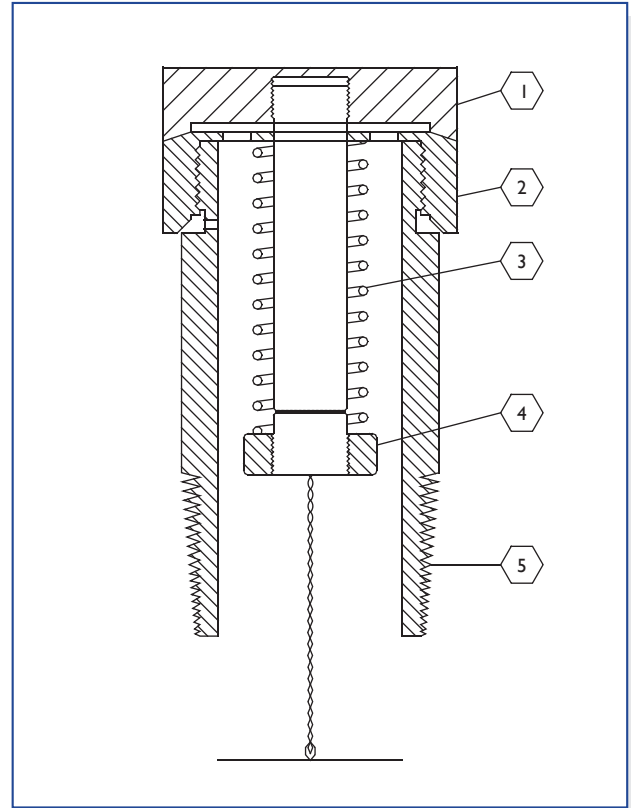


# VF-I

## Vent/Fill Cap Model 6500

### GENERAL DESCRIPTION:

The Ruelco VF-I is a vent cap designed to relieve pressure due to entrapped gases in a hydraulic reservoir through a spring loaded cover. Under normal conditions, the cover prevents rain, dust or other contaminants from entering into the hydraulic reservoir.



ITEM	QTY.	DESCRIPTION	MATERIAL	PART No.
1	1	COVER	316 S.S.	65-003-000
2	1	CAP	316 S.S.	65-002-000
3	1	SPRING	INCONEL	65-005-000
4	1	BOLT	316 S.S.	65-006-000
5	1	BODY	316 S.S.	65-001-000

**Ordering Code: 6500 - X X 000**

