

# Ruelco

## EX-1 Quick Exhaust Valve

### Model 1702



1-800-229-7835  
ruelco@ruelco.com

# EX-I

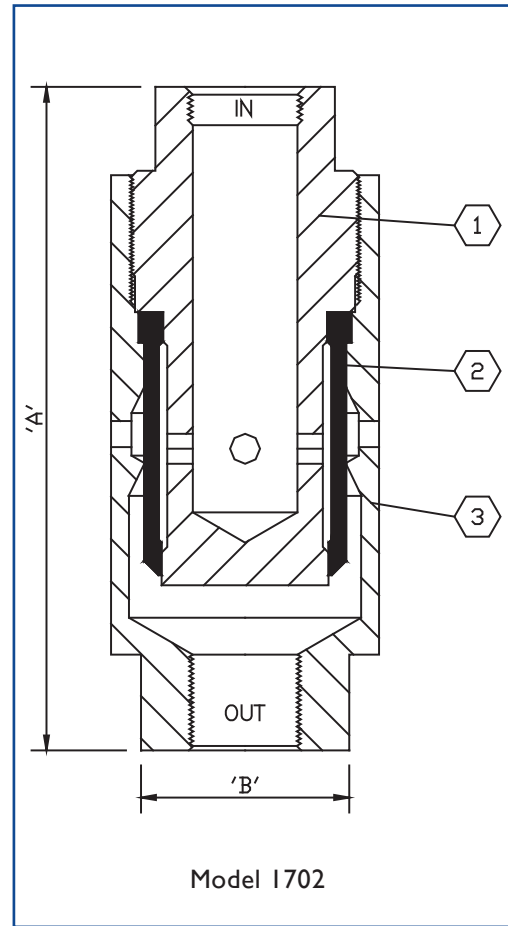
## Quick Exhaust Valve Model 1702

### FEATURES

- 316 stainless steel construction (models to N.A.C.E. MR0175 available).
- Durable Polyurethane seal.
- Large C<sub>v</sub> factors produces large flow rates.
- Small compact design.
- No moving parts.
- No O-rings.

### OPTIONS

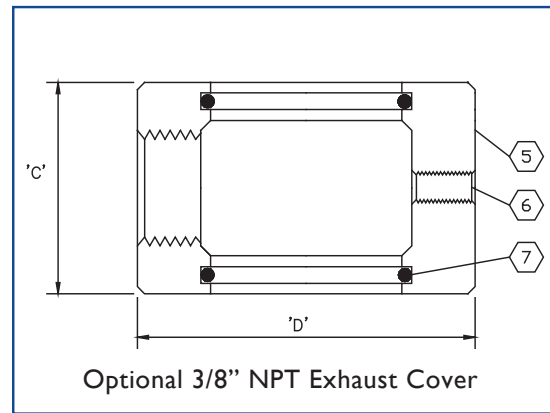
- 3/8" FNPT exhaust port adapter.
- Alternate seal materials.
- Models with working pressures to 500 psi.



**GENERAL DESCRIPTION:**  
 The Ruelco 'EX-I' quick exhaust is designed to rapidly bleed the control pressure from an actuator or other pneumatic device. It is typically used on safety valves, control valves, or other devices that must respond quickly when the control signals are removed. Its in-line design and three part construction make the quick exhaust easy to install and maintain. No special tools are needed for repair and assembly. The Ruelco 'EX-I' will improve equipment operation and reduce maintenance time.

## Parts List For EX-I Quick Exhaust Valve

Item	Qty.	Description	Material
1	1	Center Spool	316 St. Stl.
2*	1	Bladder	Polyurethane
3	1	Body	316 St. Stl.
4	—	Repair Kit	* Item
5	1	Exhaust Port Body	316 St. Stl.
6	1	Set Screw	316 St. Stl.
7	2	Exhaust Port Seal	Viton



### Specifications P.S.I. (BAR)

Valve Body Max. W.P.	150 (10.3)
Ambient Temp. Range	-20 to 250 deg. F -29 to 122 deg. C
C <sub>v</sub> Factor Venting	2.75
C <sub>v</sub> Factor Input	1.0

### Dimensions Inch (MM)

'A'	2.80 (71.1)
'B'	0.87 (22.1)
'C'	1.25 (31.8)
'D'	2.00 (50.8)
Port Size	1/4" NPT
Weight	12.0 oz. (227 gm.)

## Ordering Code: 1702 X SXX X 0

Base Model Number

Standard Corrosive Service (-)

N.A.C.E. Option N

150 P.S.I. 4

500 P.S.I. 5

O Without 3/8" FNPT Exhaust Port

S With 3/8" FNPT Exhaust Port

U Polyurethane

V Viton