

Ruelco



AR-2 Manual/Automatic Reset Relay Model 14A1

2063 Paxton Street
Harvey, LA 70058
Phone (504) 340-0055
Fax (504) 340-0056

AR-2

Manual/Automatic Reset Relay Model 14A1

FEATURES

- 316 Stainless steel construction (models to N.A.C.E. MR0175 available).
- Easy to close with pilot signal pressures as high as 100 psi.
- Large Cv factor assures fast system response.
- "Lock Closed" design prevents relay from automatically opening.
- Viton and Nitril seals are utilized for dependability.
- Design minimizes malfunctions due to supply system debris.
- Inconel X-750 springs assures dependability in corrosive environments.
- A simple detent mechanism external to the relay is used to switch the relay from an automatic reset to a manual reset relay and vice versa.

OPTIONS

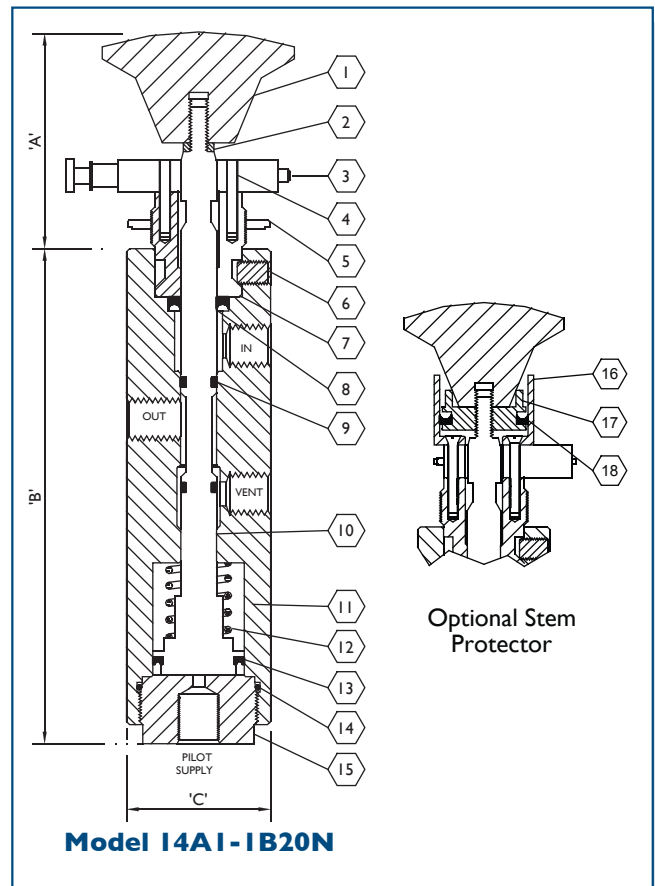
- 30 psi closing spring (20 psi spring is standard).
- Stem protector to prevent external debris accumulation on relay shaft.
- Black or red knob colors (green is standard).

GENERAL DESCRIPTION:

The Ruelco AR-2 Relay is a multi-pressure control valve for production control and safety systems. It functions as either a manual reset or an automatic reset, pilot operated, normally closed, block and bleed valve.

Parts List For AR-2 Relay

ITEM	QTY.	DESCRIPTION	MATERIAL	PART No.
1A	1	Black Knob	PHENOLIC	ZO-200-001
1B	-	Red Knob	PHENOLIC	ZO-200-002
1C	-	Green Knob	PHENOLIC	ZO-200-003
2	1	Lock Nut	316 ST. STL	T6-08K-0F3
3	1	Double Detent Assembly	316 ST. STL	14-036-000
4	2	Screw	316 ST. STL	T3-632-0G3
5	1	Panel Mount Nut	316 ST. STL	10-006-000
6	3	Set Screw	316 ST. STL	T1-08K-0C3
7	1	Mounting Head	316 ST. STL	10-007-000
8*	1	Head Seal	NITRIL	NU-204-70H
9*	2	Shaft Seal	VITON	VO-009-90T
10	1	Shaft Assembly	316 ST. STL	14-023-000
11	1	Body	316 ST. STL	10-020-000
12A	1	20 Psi. Spring	INCONEL X-750	10-024-000
12B	-	30 Psi. Spring	INCONEL X-750	10-017-000
13*	1	Piston Seal	NITRIL	NU-209-70H
14*	1	Base Seal	VITON	VO-025-75H
15	1	Base	316 ST. STL	10-021-000
16	1	Stem Protector Housing	DELTRIN	10-015-000
17	1	Seal Washer	DELTRIN	10-016-000
18#	1	Stem Protector Seal	NITRIL	NU-210-70H
19	-	Repair Kit w/o Stem Protector	* ITEM	14-013-0A0
20	-	Repair Kit w/ Stem Protector	* & # ITEM	14-026-000



Specifications PSI. (Bar)

VALVE BODY MAX. W.P.	150 (10.3)
OPTIONAL MAX. W.P.	250 (17.2)
AMBIENT TEMP. RANGE	-20 TO 250° F -29 TO 122° C
MINIMUM PILOT SIGNAL PRESSURE TO HOLD RELAY OPEN	27 (1.9) WITH 20 PSI SPRING 35 (2.4) WITH 30 PSI SPRING
Cv FACTOR	1.7

Dimension Inch (MM)

"A" (CLOSED/OPEN)	2.36/2.73 (60/69.3)
"B"	5.18 (132)
"C"	1.5 (38.1)
PORT SIZE	1/4" NPT
PANEL MOUNT HOLE	1.0 (25.4)
MAX. PANEL THICKNESS	.18 (4.6)
WEIGHT	2.5 LB (1.14 KG)

Ordering Code:

14A1 X I X X X X

BASE MODEL NUMBER

Standard Corrosive Service - (-)
N.A.C.E. Option - N

Black Knob - B
Red Knob - R
Green Knob - G

0 - Without Panel Mount Nut
N - With Panel Mount Nut

0 - Without Stem Protector
P - With Stem Protector

2 - 20 Psi. Closing Spring
3 - 30 Psi. Closing Spring