

Ruelco

Tattletale Indicators



Model 6001
Pneumatic



Model 6201
Hydraulic

2063 Paxton Street
Harvey, LA 70058
Phone (504) 340-0055
Fax (504) 340-0056

Tattletale

Pneumatic / Hydraulic Indicators

FEATURES

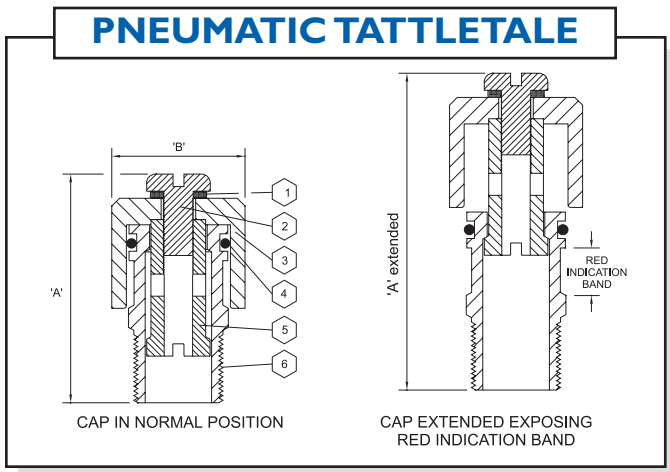
- 316 stainless steel construction.
- Viton O-ring used for dependability.
- Small size and rugged construction.
- Does not affect operation of the device it is installed in.
- Easy to repair and test.
- Trip indication easily visible.
- No indicator “bounce”.
- Can eliminate the need for an expensive control panel.

GENERAL DESCRIPTION:

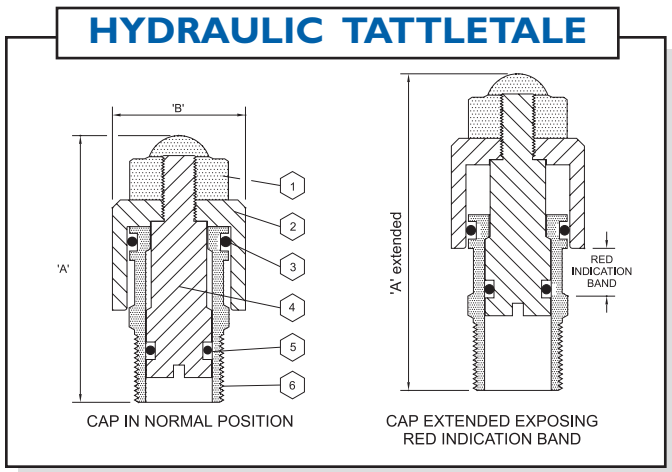
The Ruelco pneumatic “Tattletale” is a unique device to provide indication when production control or safety system sensors and control devices trip. The “Tattletale” is designed to be installed in the exhaust port of pneumatic control devices and sensors. When these sensors or control devices trip, the pneumatic pressure venting through the exhaust port will cause the cap of the “Tattletale” to pop - out. This exposes a red indicator band giving visual indication that the device has tripped. First - Out indication of several sensors can be obtained by using the “Tattletale” in conjunction with a pneumatic relay. Often this eliminates the need for an expensive control panel.

Likewise, the Ruelco hydraulic “Tattletale” is designed to be installed in the return line near the exhaust port of a hydraulic sensor or control component. When the sensor or control device operates and vents or exhausts hydraulic fluid, the pressure in the return line will cause the cap of the “Tattletale” to pop out. This exposes a red indicator band giving visual indication that the sensor or control device has operated. The Ruelco hydraulic “Tattletale” is ideal for indicating when a hydraulic pressure sensor has operated and gives “first - out” indication when the sensor is used to vent a hydraulically actuated valve.

PNEUMATIC TATTLETALE



HYDRAULIC TATTLETALE



Dimensions Inch (MM)

'A' (Closed)	1.31 (33.3)
'A' (Extended)	1.81 (46.0)
'B'	0.75 (19.1)
Port Size	1/4" MNPT
Weight	1.5 OZ. (42.6 GM.)

Specifications P.S.I. (Bar)

Max. Exhaust Pressure	150 (10.3)
Ambient Temp. Range	-20 to 250 deg. F -29 to 122 deg. C
Cv Factor	0.4
Minimum Pressure and Flowrate to Operate	2 PSI @ 1 SCFM

Dimensions Inch (MM)

'A' (Closed)	1.42 (36.1)
'A' (Extended)	1.72 (43.7)
'B'	0.75 (19.1)
Port Size	1/4" MNPT
Weight	1.7 OZ. (48.3 gm.)

Specifications P.S.I. (Bar)

Max. Exhaust Pressure	6000 (414)
Ambient Temp. Range	-20 to 250 deg. F -29 to 122 deg. C
Min. Pressure to Operate	10 PSI (0.7)

Parts List For Pneumatic Tattletale Indicator

ITEM	QTY.	DESCRIPTION	MATERIAL
1	1	Lock Washer	316 St. Std.
2	1	Machine Screw	316 St. Std.
3	1	Cap	316 St. Std.
4*	1	Body Seal	Viton
5	1	Stem	316 St. Std.
6	1	Body	316 St. Std.
7	—	Repair Kit	* Item

Parts List For Hydraulic Tattletale Indicator

ITEM	QTY.	DESCRIPTION	MATERIAL
1	1	Acorn Nut	316 St. Std.
2	1	Cap	316 St. Std.
3	1	O-ring (Cut)	Viton
4	1	Stem	316 St. Std.
5	1	Stem Seal	Viton
6	1	Body	316 St. Std.
7	—	Repair Kit	Items 3 & 5

**Order Pneumatic
Model#
600I-4MRMO**

**Order Hydraulic
Model#
620I-4MRMO**