

Ruelco



LC-1 Fusible Lockout Cap

Model 5900

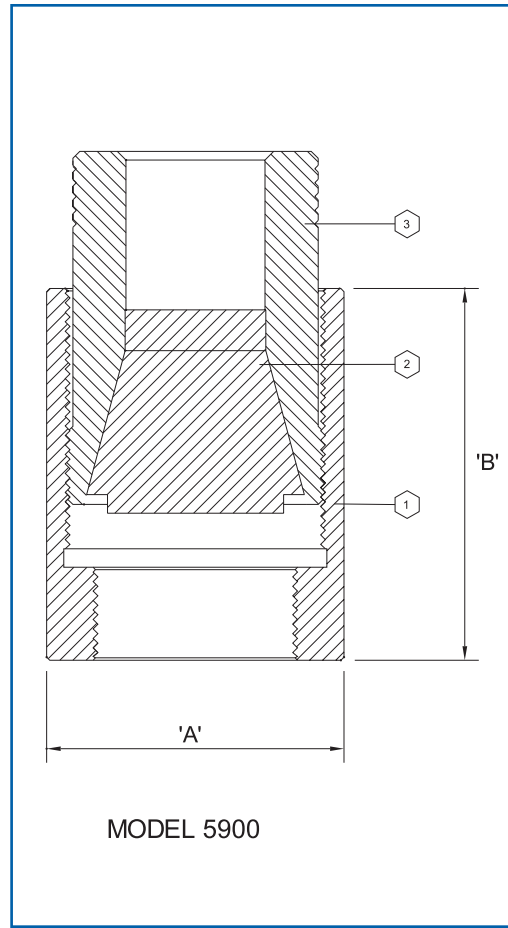
2063 Paxton Street
Harvey, LA 70058
Phone (504) 340-0055
Fax (504) 340-0056

LC-I

Fusible Lockout Cap Model 5900

FEATURES

- Heavy duty carbon steel construction meets severe service demands.
- Adjustable cap design fits most actuator valves 4" and under thus making it economical and versatile.
- A tight fit between the upper body and the temperature element prevents the latter from coming loose.
- Designed and tested to meet API Specification 14D, Section 2, Paragraph 2.4.



GENERAL DESCRIPTION:

The Ruelco 'LC-I' Fusible Lockout Cap is used to lock in the open position a reverse acting gate valve while conducting through - wellhead or flowline operations. These caps are installed onto the actuator's top cylinder thread after control pressure in the actuator has opened the gate valve. The temperature element melts under extreme heat, permitting the valve to close in the event of fire.

Parts List For LC-I Fusible Lockout Cap

Item	Qty.	Description	Material	Part No.
1A	1	Coupling	Carbon Steel	59-200-000
1B	1	Coupling	Carbon Steel	59-250-000
1C	1	Coupling	Carbon Steel	59-275-000
2	1	Eutectic Element	Delrin	59-003-000
3	1	Body	Carbon Steel	59-001-000

Dimensions Inch (MM)

'A'	4.00 (101.6)
'B'	5.00 (127.0)
Weight	14 Lbs. (6.4 Kg.)

Specifications

Melt Temperature	400 deg. F
Valve Size	Up to 4"
Max. Lockopen Load	30,000 lbs.

Ordering Code: 5900 X 2XX 00

BASE MODEL NUMBER

Standard Corrosive Service - (-)
N.A.C.E. Option - N

0 - Axelson Small
0 - Axelson Large / WKM
5 - Baker / Otis

0 - Axelson Small
5 - Axelson Large / WKM
7 - Baker / Otis