

Ruelco



MR-1 Manual Override

Model 5500

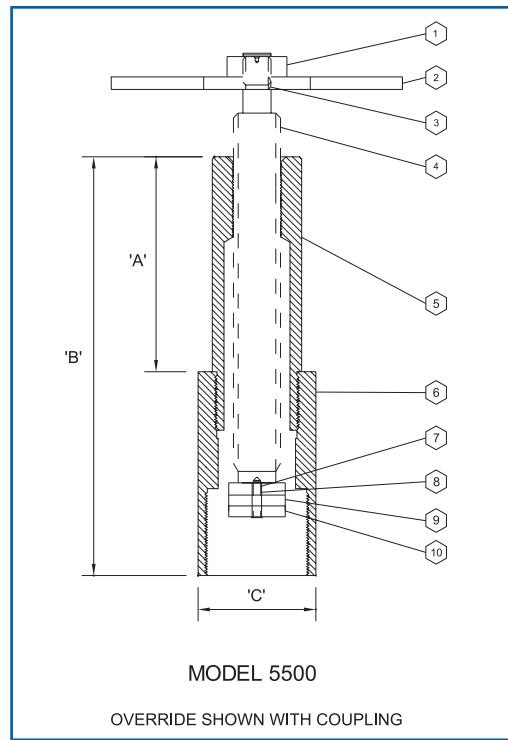
2063 Paxton Street
Harvey, LA 70058
Phone (504) 340-0055
Fax (504) 340-0056

MR-I

Standard Service Manual Override

FEATURES

- Heavy duty carbon steel and stainless steel construction meets severe service demands.
- The design of the override is both versatile and economical. With the removable coupling design, one can fit most actuators up to 4" valve size with one override. Couplings in stock include Axelson, Baker, and Otis. Others available upon request.
- A sight port enables operator to visually monitor the position of the actuator stem when manual override is in an open position.
- A bearing at the end of the override stem prevents damage to the actuator stem and helps assist in easy opening.

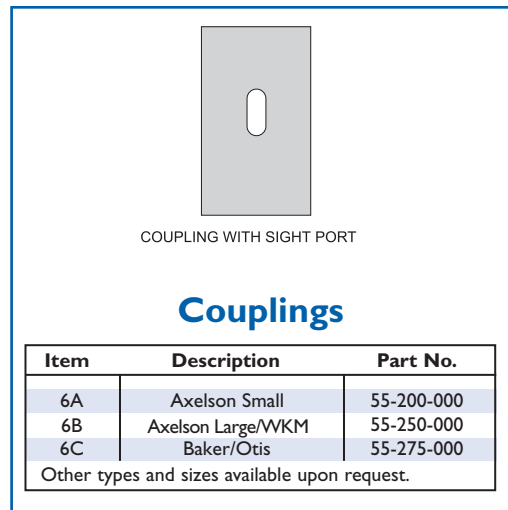


GENERAL DESCRIPTION:

The manually operated stem in the Ruelco manual override when screwed in will ride on top of the actuator stem and force the gate valve and actuator into an open position, overriding fail closed actuator operation.

Parts List For Manual Override MR-I

Item	Qty.	Description	Material	Part No.
1	1	Lock Nut	316 St. Stl.	T6-08K-0F3
2A	1	T-Handle	Carbon Stl.	55-001-000
2B	1	Wheel Handle	Carbon Stl.	55-001-WH0
3	1	Key	Carbon Stl.	55-002-000
4	1	Override Stem	17-4 PH St. Stl.	55-003-000
5	1	Housing	Carbon Stl.	55-006-000
6A	1	Coupling	Carbon Stl.	55-200-000
6B	1	Coupling	Carbon Stl.	55-250-000
6C	1	Coupling	Carbon Stl.	55-275-000
7	1	Screw	316 St. Stl.	T3-675-0G3
8	1	Sleeve	Carbon Stl.	55-004-000
9	1	Bearing	316 St. Stl.	55-005-000
10	1	Bearing Plate	316 St. Stl.	55-007-000



Dimensions Inch (MM)

'A'	5.7 (144.8)
'B'	9.73 (247.1)
'C'	3.25 (82.6)
Weight	20 Lbs.
Lock Open Load	30,000 Lbs.

Ordering Code: 5500 X 2 X X P 0

BASE MODEL NUMBER

Standard Corrosive Service - (-)
N.A.C.E. Option - N

- 0 - T-Handle
- 1 - Wheel Handle
- 0 - Axelson Small
- 0 - Axelson Large / WKM
- 5 - Baker / Otis
- 0 - Axelson Small
- 5 - Axelson Large / WKM
- 7 - Baker / Otis