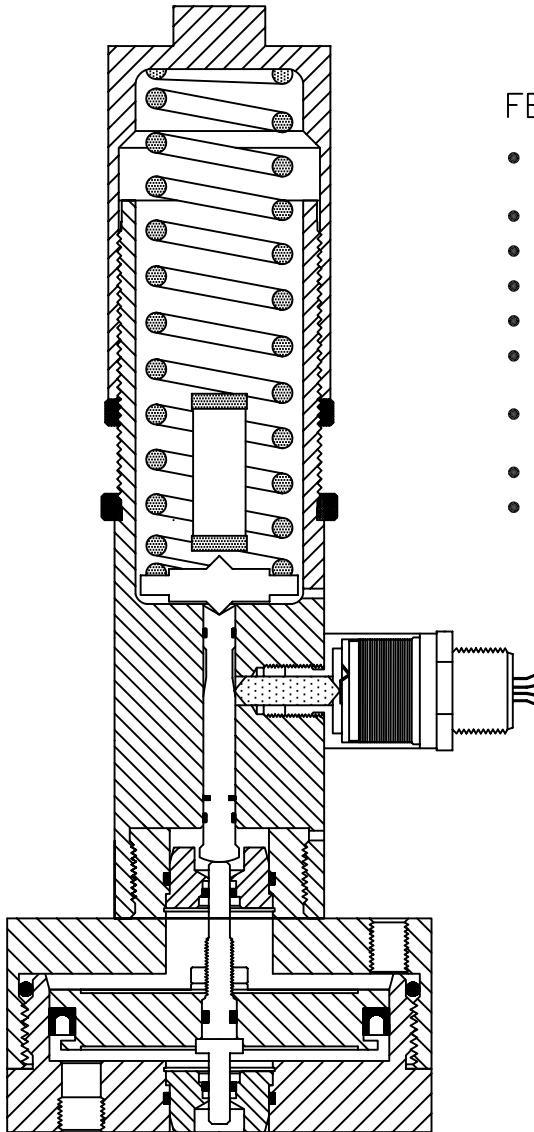




1209 DISTRIBUTORS ROW ■ HARRAHAN, LA 70123 U.S.A.
TELEPHONE: (504)340-0055 ■ FAX: (504)340-0056

GENERAL DESCRIPTION:

The Ruelco "SS-E" Electric Differential Pressure Switch is operated by pressure acting on a piston opposing an adjustable spring force. It functions as either a normally open switch, depending on which contacts are used. The difference between the pressure acting on upstream and downstream sense ports is the differential pressure which causes the switch to operate.



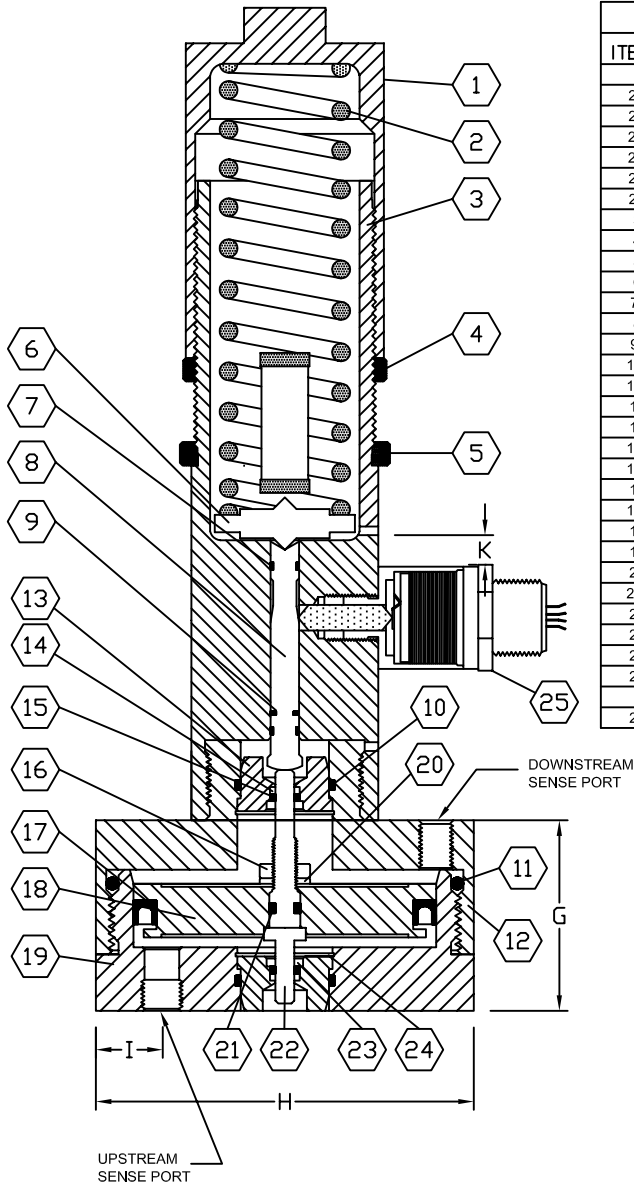
FEATURES:

- 316 Stainless Steel construction (models to N.A.C.E. MR0175 available).
- Differential pressure range from .5 to 80 psi
- Holds constant and accurate set points.
- Designed for 1% plus or minus repeatability on set points.
- Minimum deadband between trip and reset pressure.
- Spring may be replaced with sense pressure present in the sensor.
- Uses hermetically sealed, snap acting, dry contact switches rated explosion proof. (U.L. rated Class 1, Group A,B,C,D).
- Optional tamper proof lockout device available.
- Optional mounting brackets available.

SS-E

ELECTRIC DIFFERENTIAL
PRESSURE SWITCH

MODEL 4E02



PARTS-LIST FOR SS-E DIFFERENTIAL PRESSURE SWITCH				
ITEM	QTY.	DESCRIPTION	MATERIAL	PART NO.
1	1	SPRING CAP	STAINLESS STEEL	41-009-0A0
2A	1	SPRING (BLUE)	ASTM-401	41-012-000
2B	1	SPRING (RED)	ASTM-401	41-013-000
2C	1	SPRING (SILVER)	ASTM-401	41-014-000
2D	1	SPRING (GREEN)	INCONEL	41-019-000
2E	1	SPRING (YELLOW)	INCONEL	41-020-000
2F	1	SPRING (PURPLE)	INCONEL	41-021-000
3	1	BODY	STAINLESS STEEL	4E-001-000
4	1	LOCK RING	STAINLESS STEEL	41-015-000
5	1	PANEL MOUNT RING (OPTIONAL)	STAINLESS STEEL	41-023-000
6	1	SPRING PLATE	STAINLESS STEEL	41-008-040
7*	2	SPOOL GUIDE RING	DELTRIN	4E-004-000
8	1	SPOOL F/SS-E	STAINLESS STEEL	4E-005-000
9*	1	SPOOL O-RING	VITON	VO-008-75T
10*	2	GUIDE SLEEVE SEAL	VITON	VO-020-75H
11*	1	BODY SEAL	VITON	VO-237-75H
12	1	UPPER HOUSING	STAINLESS STEEL	4D-001-0A0
13	2	GUIDE SLEEVE	STAINLESS STEEL	4D-004-000
14*	2	BACK-UP RING	TEFLON	TB-008-00C
15*	2	SHAFT SEAL	FLUOROSILICONE	FO-008-70T
16	1	HEX NUT	STAINLESS STEEL	T6-08K-0G3
17*	1	PISTON SEAL	VITON	VU-334-75T
18	1	PISTON	STAINLESS STEEL	4D-003-000
19	1	LOWER HOUSING	STAINLESS STEEL	4D-002-000
20	1	LOCK WASHER	STAINLESS STEEL	WA-0X0-H43
21*	1	PISTON/SHAFT SEAL	VITON	VO-008-75H
22	1	SHAFT	STAINLESS STEEL	4D-005-000
23	2	SEAL RETAINER	STAINLESS STEEL	4D-006-000
24	2	RETAINER RING	STAINLESS STEEL	S2-910-903
25	1	SPDT SWITCH ASSEMBLY	STAINLESS STEEL	38-027-000
-	-	DPDT SWITCH ASSEMBLY	STAINLESS STEEL	38-028-000
26	-	REPAIR KIT	* ITEMS	4D-008-000

ORDERING CODE: 4E02XDX000

BASE MODEL NUMBER

MATERIAL OPTIONS

Standard Corrosive Service -- (-)

N.A.C.E. Option ----- N

SPRING CODE (See Range Chart)

DIMENSION PSI. (BAR)

SPRING CODES (COLOR)		RANGE CHART		
		DIFFERENTIAL PRESSURE RANGE PSI (BAR)		
STD. SPRING	INCONEL SPRING	.5-20 (.03-1.4)	4-40 (.3-2.75)	10-80 (.7-5.5)
B (BLUE)	G (GREEN)	X		
R (RED)	Y (YELLOW)		X	
S (SILVER)	P (PURPLE)			X

SPECIFICATIONS

Max. Sensor HSG. Test Pressure PSI (BAR) @ 100°F (37°C)	Maximum Differential Pressure PSI (BAR) @ 100°F (37°C)	Ambient Temperature Range	Max. Process Fluid Temperature	Set Point Range PSI (BAR)	Switch Type	AC Rating	DC Rating
2000 (138)	1500 (103)	-20 to 167°F -29 to 75°C	250°F 122°C	.5 - 80 (.28 - 5.5)	SPDT or DPDT	250 Volts or 5 Amps	30 Volts or 5 Amps

DIMENSION IN. (Mm)

G	1.62 (41.1)
H	3.75 (92.3)
I	3.75 (92.3)
K	0.90 (22.9)
Sense Ports	1/8" NPT(F)
Assy. Wt.	8.9 LBS (4.05 KG.)