

# Ruelco



**3 Way Tattle Tale Hydraulic Indicator Model 6301**

2063 Paxton Street  
Harvey, LA 70058  
Phone **(504) 340-0055**  
Fax **(504) 340-0056**

# 3 Way Tattletale

## Hydraulic Indicator Model 6301

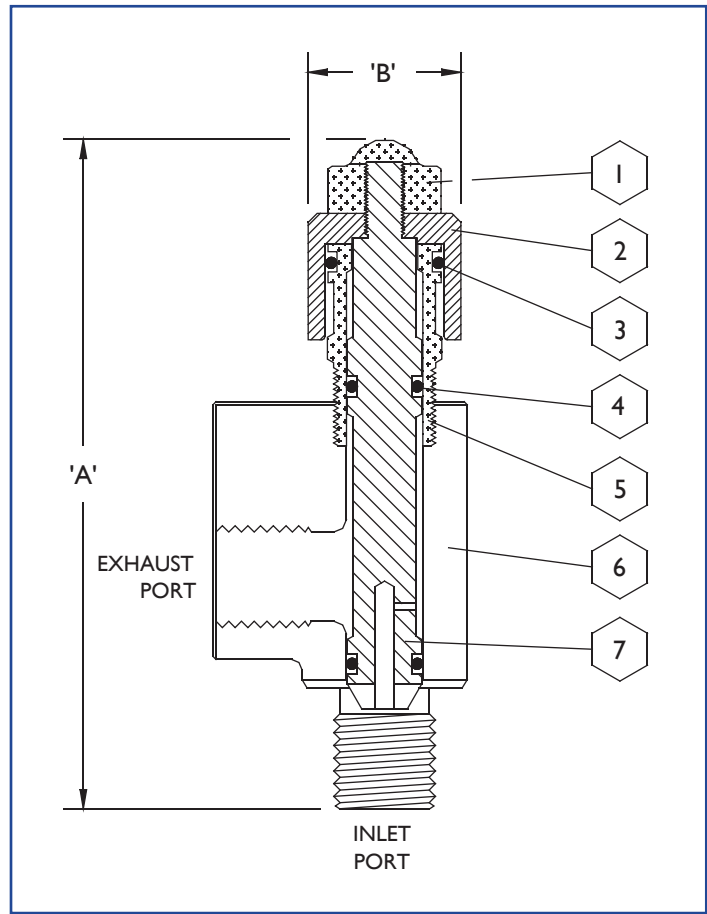
### FEATURES

- 316 Stainless Steel construction.
- Viton O-Ring used for dependability.
- Small size and rugged construction.
- Does not effect operation of the device it is installed in.
- Easy to repair and test.
- First-out indication.
- Trip indication easily visible.
- No indicator "BOUNCE"

### GENERAL DESCRIPTION:

The Ruelco hydraulic 3-Way Tattletale is a compact device that provides indication when a hydraulic sensor or control component operates. The 3-Way Tattletale is designed to be installed in the return line near the exhaust port of a hydraulic sensor or control component. When the sensor or control device operates and vents or exhausts hydraulic fluid, the pressure in the return line will cause the cap of the 3-Way Tattletale to pop out. This exposes a red indicator band giving visual indication that the sensor or control device has operated.

The Ruelco hydraulic 3-Way Tattletale is ideal for indicating when a hydraulic sensor has operated and give "first-out" indication when the sensor is used to vent a hydraulic actuated valve.



### Parts List For Tattletale Indicator

ITEM	QTY.	DESCRIPTION	MATERIAL	PART No.
1	1	ACORN NUT	316 ST. STL.	T6-0K8-073
2	1	CAP	316 ST. STL.	61-003-0A0
3*	1	O-Ring (Cut)	VITON	V0-012-75T
4*	2	STEM SEAL	VITON	VO-009-75T
5	1	BODY	316 ST. STL.	60-001-0A0
6	1	MANIFOLD	316 ST. STL.	63-006-000
7	1	STEM	316 ST. STL.	63-002-0A0
8	-	REPAIR KIT	* ITEMS	63-005-000

### Specifications PSI. (Bar)

MAX. EXHAUST PRESSURE	2000 (138)
AMBIENT TEMP. RANGE	-20 TO 250° F -29 TO 122° C
MIN. PRESSURE AND FLOWRATE TO OPERATE	10 PSI (0.7) @ 1 SCFM

### Dimensions Inch (MM)

'A' (CLOSED)	3.42 (86.9)
'A' (EXTENDED)	3.77 (95.7)
'B'	0.75 (19.1)
INLET PORT SIZE	1/4" MNPT
EXHAUST PORT SIZE	1/4" FNPT
WEIGHT	4.9 oz (140 gm)

**Ordering Code: 6301-4MRMO**