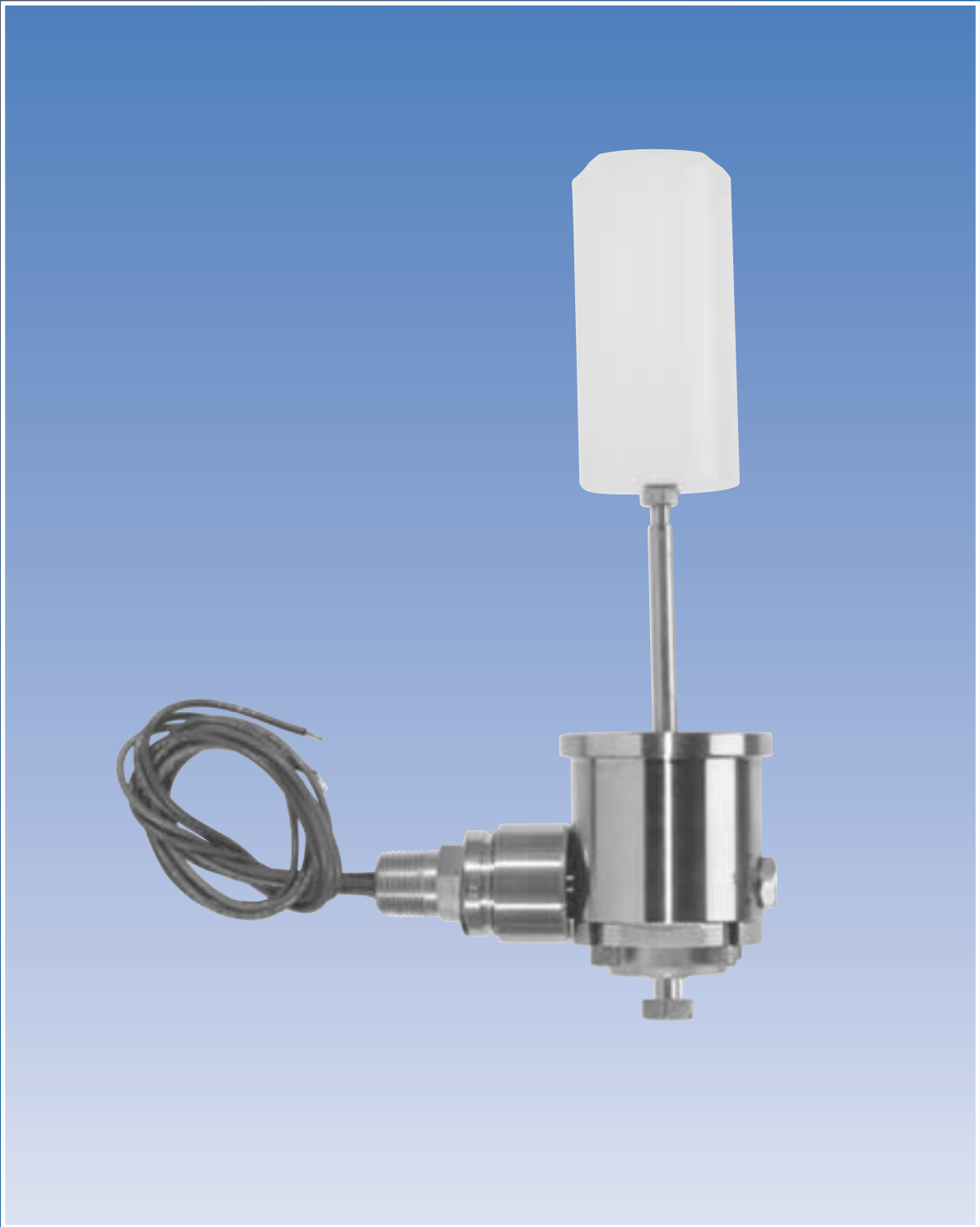


Ruelco



Flex Level Switch

Model 39C2

2063 Paxton Street
Harvey, LA 70058
Phone (504) 340-0055
Fax (504) 340-0056

Model 39C2 Manufactured Under U.S. Patent # 4838303

Flex Level Switch

FEATURES

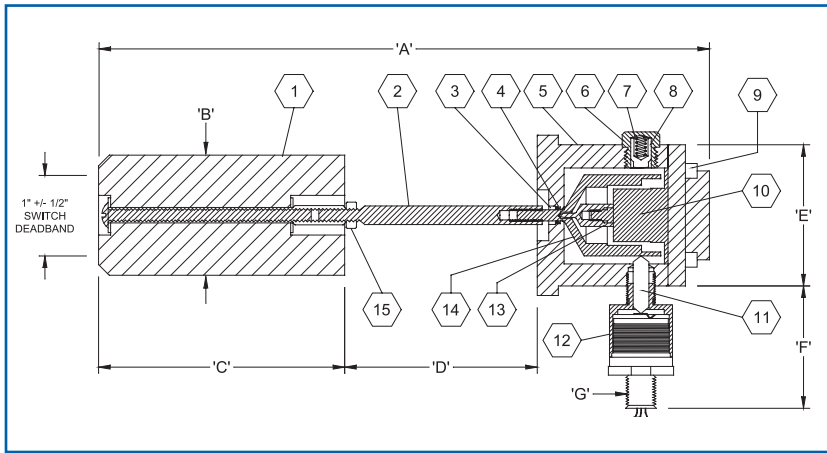
- Uses hermetically sealed, snap acting, dry contact switches rated explosion proof (U.L.™ rated Class I, Div. I Groups A, B, C, D).
- Atmospheric vent between level sensor process seals and switch assembly.
- Slip ring mounting.

OPTIONS

- SPDT or DPDT switches.
- 0.4 specific gravity operation.
- 316 st. stl. displacer for operating temperatures to 450°F (232°C).
- Hangdown displacers available when mounted on ANSI flange.
- External manual test mechanism.

GENERAL DESCRIPTION:

Incorporating the same operational performance as the Model 38C2 but with the reliable slip ring mounting of the Model 31C2 pneumatic switch, the Model '39C2' "Flex-Level" switch is well suited for the harshest environments. In combination with the optional mounting accessories and displacer variations, this switch finds many uses in both the oil and gas producing and petro-chem industries. Its "non-magnetic" direct acting operating principle provides a high degree of reliability in any safety or control system.



Dimensions Inch (MM)

'A'	10.06 (255.5)
'B'	2.00 (50.8)
'C'	4.10 (104.1)
'D'	3.00 (76.2)
'E'	2.37 (60.2)
'F'	2.33 (59.2)
'G'	1/2" MNPT
Weight	3.3 Lbs. (1.5 Kg.)

Parts List For Flex Level Switch 39C2

Item	Qty.	Description	Material
1	1	Displacer Assembly	Polypropylene
Optional	Optional	St. Stl. Displacer	316 St. Stl.
2	1	Float Rod	316 St. Stl.
3	1	Body Seal Retainer	316 St. Stl.
4*	1	Body Seal	Fluorocarbon
5	1	Body	316 St. Stl.
6	1	Spring Cap	316 St. Stl.
7	1	Spring	Inconel
8	1	Spring Guide	Acetal
Optional	Optional	St. Stl. Spring Guide	316 St. Stl.
9	4	Socket Hd. Cap Screw	316 St. Stl.
10	1	Pivot Body	8CFM St. Stl.
11	1	Push Rod	Acetal
12	1	Switch Assembly	316 St. Stl.
13	1	Pivot	17-4 PH St. Stl.
14	1	Cone	17-4 PH St. Stl.
15	1	Float Rod Nut	316 St. Stl.
16	1	Washer	316 St. Stl.
17	—	Repair Kit	* Items

St. Stl. Spring Guide when St. Stl. Displacer used.

Ordering Code: 39C2 X X X E X X

BASE MODEL NUMBER	STANDARD MODEL	TO NACE MR0175	POLYPROPYLENE DISPLACER	316 ST. STL. DISPLACER (500 PSI W.P.)	316 ST. STL. DISPLACER (2160 PSI W.P.)	SPDT ELECTRICAL SWITCH	DPDT ELECTRICAL SWITCH	STD. ROD WITH HORIZONTAL DISPLACER	6" ROD WITH HORIZONTAL DISPLACER	10" ROD WITH HORIZONTAL DISPLACER	14" ROD WITH HORIZONTAL DISPLACER	18" ROD WITH HORIZONTAL DISPLACER	SHORT ROD WITH HANGDOWN DISPLACER	STD. ROD WITH HANGDOWN DISPLACER	HORIZONTAL DISPLACER	1" TO 1' HANGDOWN	1" TO 5' HANGDOWN	1" TO 10' HANGDOWN	1" TO 40' HANGDOWN	40' OR GREATER
39C2 Electric Flange Mount	-	N	P	3	6	S	D	3	6	A	E	J	2	3	0	1	2	3	4	Consult Factory

Specifications

Max. Test Pressure PSI (BAR) @ 100 deg. F (37 deg. C)	Max. W.P. PSI (BAR) @ 100 deg. F (37 deg. C)	Ambient Temperature Range	Max. Process Fluid Temperature	Min. Specific Gravity	SPDT & DPDT Max. AC/DC Voltage	SPDT & DPDT AMPS @ Rated Voltage
3240 (223)	2160 (149)	-20 to 161 deg. F -29 to 72 deg. C	200 deg. F* (93 deg. C)	0.6	250 AC 30 DC	5 AC/DC

*450°F (232°C) with St. Stl. Displacer