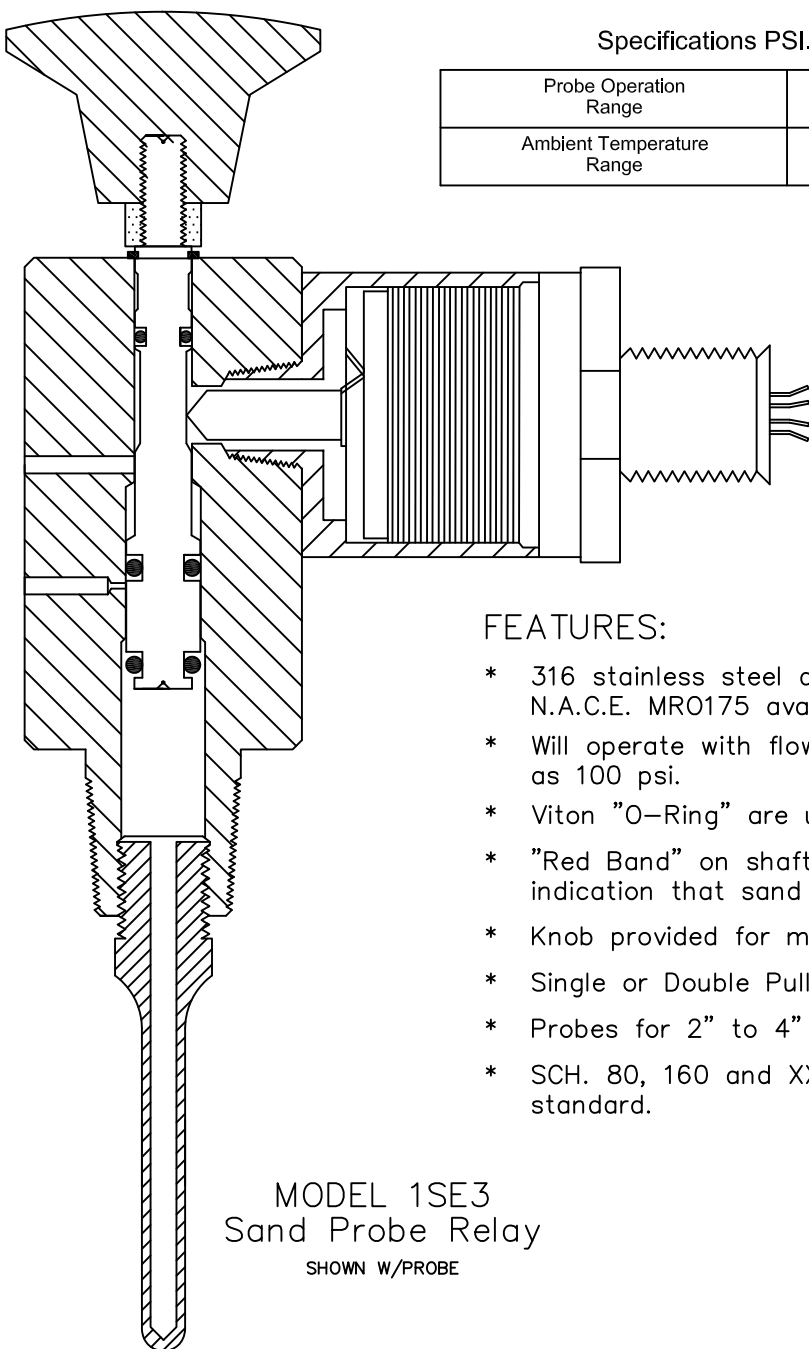




1209 DISTRIBUTORS ROW ■ NEW ORLEANS, LA 70123 U.S.A.  
 TELEPHONE: (504)340-0055 ■ FAX: (504)340-0056

GENERAL DESCRIPTION:

The Ruelco model 1SE3 Sand Probe relay uses a thin wall steel probe installed directly in a flowline to detect and indicate that excessive erosion or corrosion has occurred. It utilizes a reliable SPDT or DPDT microswitch which can be operated normally open or normally closed. In addition, the relay also provides visual indication that the probe has lost pressure integrity. This alerts fields personnel that inspection of the flowline and possible repair may be required.



Specifications PSI. (BAR)

Probe Operation Range	100 (6.7) min. 10,000 (690) max.
Ambient Temperature Range	-20° To 250° F -29° To 122° C

FEATURES:

- \* 316 stainless steel construction (models to N.A.C.E. MRO175 available).
- \* Will operate with flowline pressures as low as 100 psi.
- \* Viton "O-Ring" are utilized for dependability.
- \* "Red Band" on shaft provides positive indication that sand probe relay has operated.
- \* Knob provided for manual testing.
- \* Single or Double Pull Switch
- \* Probes for 2" to 4" pipe available.
- \* SCH. 80, 160 and XXH probe wall sizes are standard.

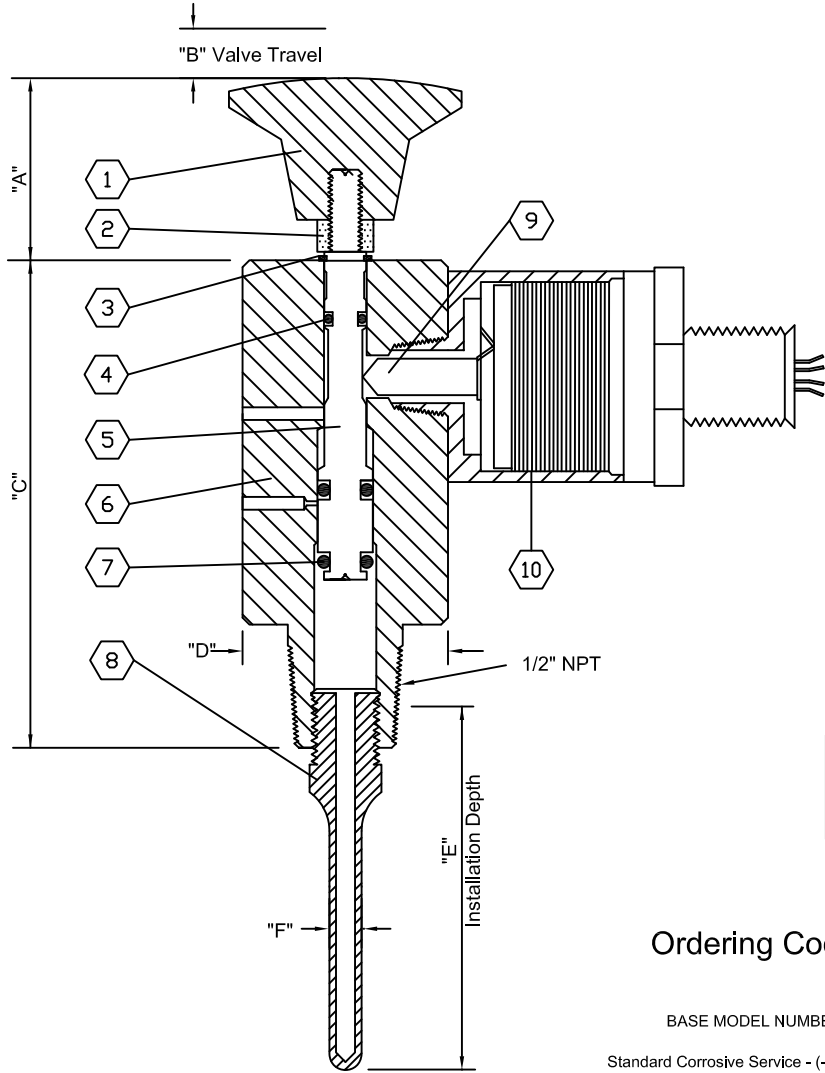
MODEL 1SE3  
 Sand Probe Relay  
 SHOWN W/PROBE

ELECTRIC SAND PROBE RELAY MODEL 1SE3

PARTS LIST FOR ELECTRIC SAND PROBE RELAY

ITEM	QTY.	DESCRIPTION	MATERIAL	PART NO.
1	1	Knob	Phenolic	Z0-200-001
2	1	Lock Nut	AISI 316 St. Stl.	T6-08K-0F3
3	1	Snap Ring	St. Stl.	S5-8H00031
4	1	Shaft O-Ring	Viton	V0-008-75T
5	1	Shaft	AISI 316 St. Stl.	1S-021-000
6	1	Valve Body	AISI 316 St. Stl.	1S-020-000
7	2	Piston O-Ring	Viton	V0-107-90H
8	1	Sand Probe	See Order Code	1S-001-XXX*
9	1	Push Rod	AISI 316 St. Stl.	38-021-001
10a	1	SPDT Switch Assembly	AISI 316 St. Stl.	38-027-000
10b	-	DPDT Switch Assembly	AISI 316 St. Stl.	38-028-000
11	-	Repair Kit	Items 3, 5 & 8	1S-022-000

\* USE LAST THREE (3) DIGITS OF SAND PROBE ORDER CODE SHOWN BELOW.



DIMENSIONS IN (mm)

Dimension	Value (mm)
A	1.55 (39.4)
B	.28 (7.1)
C	3.56 (90.4)
D	1.50 (38.1)

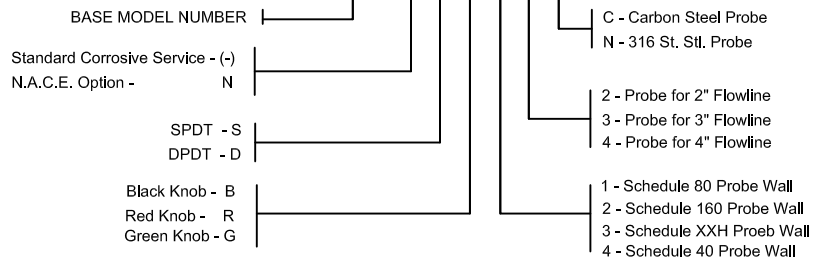
SWITCH SPECIFICATIONS

SET POINT DEVIATION	±1 %
DEADBAND	5% OF RANGE
SWITCH TYPE	SPDT & DPDT
AC RATING	250 VOLTS @ 5 AMPS
DC RATING	30 VOLTS @ 5 AMPS
AMBIENT TEMPERATURE RANGE	-20 TO 167 °F -29 TO 75 °C

Pipe Size	2 Inches	3 Inches	4 Inches
E	2.01 (51.1)	2.57 (65.3)	3.08 (78.2)

Probe Wall	Sch. 40 .025 Wall (.64)	Sch. 80 .032 Wall (.81)	Sch. 160 .050 Wall (1.3)	Sch. XXH .125 Wall (3.2)
F	.25 (6.4)	.25 (6.4)	.25 (6.4)	.50 (12.7)

Ordering Code: 1SE3 X X X X X X



WHILE THIS INFORMATION IS PRESENTED IN GOOD FAITH AND BELIEVED TO BE ACCURATE, RUELCO, INC. DOES NOT GUARANTEE SATISFACTORY RESULT FROM RELIANCE ON SUCH INFORMATION. NOTHING CONTAINED HEREIN IS TO BE CONSTRUED AS A WARRANTY OR GUARANTEE, EXPRESSED OR IMPLIED, REGARDING THE PERFORMANCE, MERCHANTABILITY, AND FITNESS WITH RESPECT TO THE PRODUCTS. RUELCO, INC. RESERVES THE RIGHT, WITHOUT NOTICE, TO ALTER OR IMPROVE THE DESIGNS OR SPECIFICATIONS OF THE PRODUCTS DESCRIBED HEREIN.