

Ruelco



RB-1 Universal Control Valve

Model 16A1

2063 Paxton Street
Harvey, LA 70058
Phone (504) 340-0055
Fax (504) 340-0056

RB-I

Automatic Reset Universal Control Valve Model 16AI

FEATURES

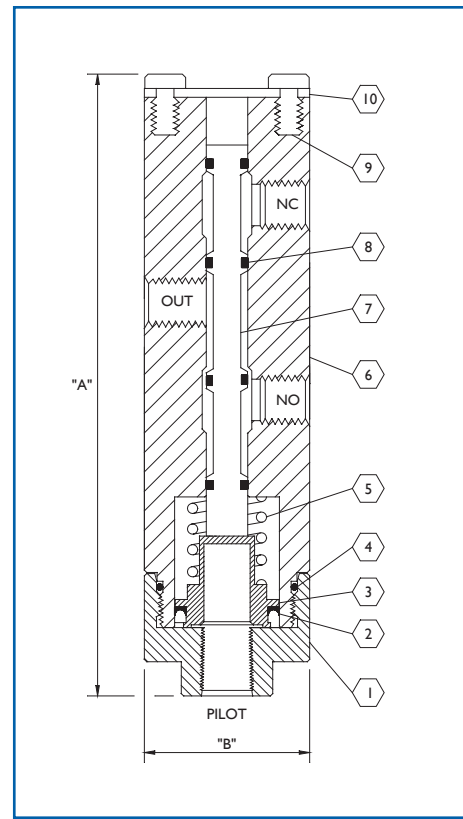
- 316 stainless steel construction (models to N.A.C.E. MR0175 available).
- Large Cv factor assures fast system response.
- Viton and nitrile seals are utilized for dependability.
- Inconel X-750 springs assures dependability in most corrosive environments.
- All ports are 1/4" NPT
- Supply pressure and pilot cap pressure are independent of each other

OPTIONS

- Panel mountable valve model available (1" panel mount hole required).
- Floor mountable brackets available.

GENERAL DESCRIPTION:

The Ruelco 'RB-I' relay is a multi-pressure control valve for production control and safety systems. It functions as an automatic reset, pilot operated, normally open or closed, block and bleed valve.



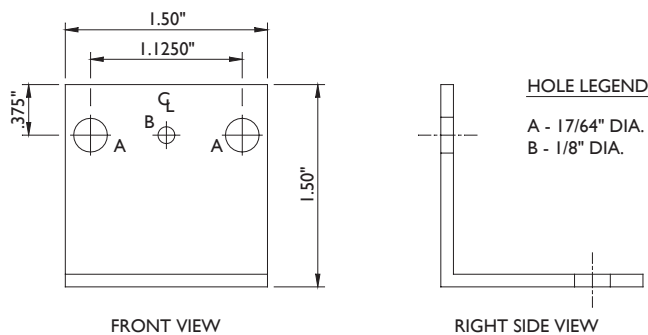
Parts List For RB-I Universal Control Valve

Item	Qty.	Description	Material	Part No.
1	1	Base	AISI 316 St. Stl.	16-003-000
2	1	Piston Seal	Nitrile	NU-209-70H
3	1	Piston	AISI 316 St. Stl.	16-004-000
4	1	Base O-Ring	Viton	VO-024-000
5	1	Spring	Inconel X-750	10-017-000
6	1	Body	AISI 316 St. Stl.	16-001-000
7	1	Spool	AISI 316 St. Stl.	16-002-000
8	4	Spool Seal	Viton	VO-009-75T
9	2	Screw	AISI 316 St. Stl.	T6-420-0G3
10	1	End Plate	AISI 316 St. Stl.	16-005-000

Specifications P.S.I. (BAR)

Valve Body Max. W.P.	150 (10.3)
Ambient Temperature Range	-20 to 250 deg. F -29 to 122 deg. C
Min. Pilot Signal Pressure To Hold N.C. Valve Open	25 (1.7)
Min. Pilot Signal Pressure To Hold N.C. Valve Closed	25 (1.7)
Cv Factor	1.4

Optional Mounting Bracket



Dimensions Inch (MM)

'A'	5.45 (138.4)
'B'	1.50 (38.1)
Ports	1/4" NPT
Weight	2.25 lbs (1.02 kg)

Ordering Code: 16AI X 2 0000

BASE MODEL NUMBER

Standard Corrosive Service - (-)
N.A.C.E. Option - N